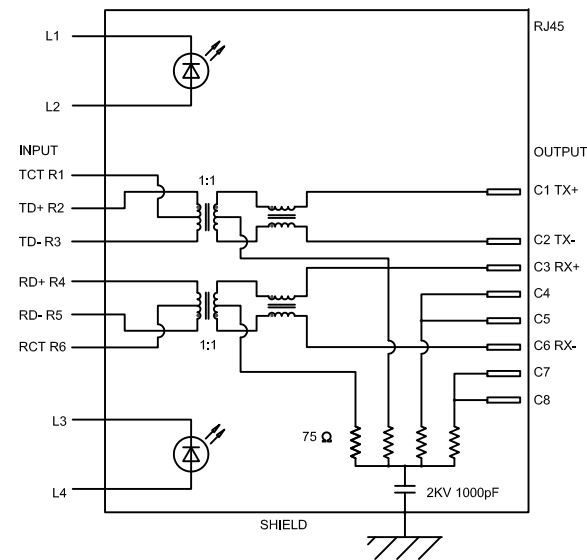
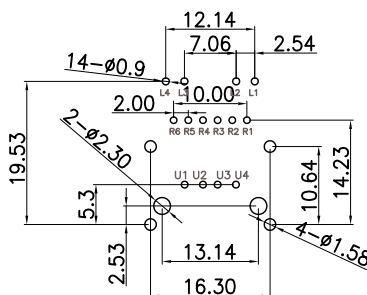
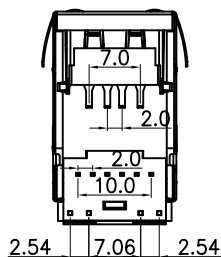
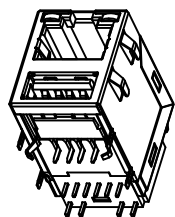
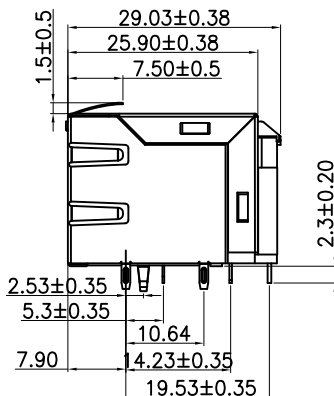
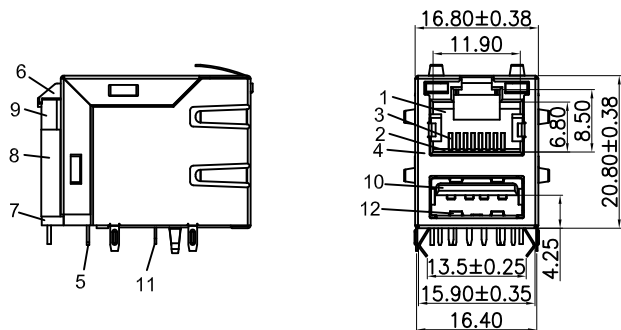


| REVISIONS |             |         |     |      |
|-----------|-------------|---------|-----|------|
| LTR       | DESCRIPTION | DATE    | DWN | APVD |
| A         | RELEASED    | 01Jan16 | AW  | WK   |

**NOTE:**

1.机械特性:

- RJ插入力: 22N MAX.
- RJ拔出(不带PLUG锁扣): 22N MAX.
- RJ PLUG锁扣保持力: 50N MIN./60sec
- RJ耐久性: 750 次
- 工作温度: 0°C ~ 70°C



RECOMMAND PCB LAYOUT  
TOL:±0.05

| ITEM | DESCRIPTION | MATERIAL OR PLATING                           | NOTE: |
|------|-------------|---|-------|
| 1    | RJ主体        | PA66+30%GF. /PBT+20%GF UL94V-0. BLACK         |       |
| 2    | MOLDING     | PA66+30%GF. /PBT+20%GF UL94V-0. BLACK         |       |
| 3    | RJ 端子       | C5191 T=0.35mm, 接触区选择性镀金, 焊接区镀亮锡100u", 镍底30u" |       |
| 4    | RJ 外壳       | C2680 T=0.20mm, 镀镍30u"MIN                     |       |
| 5    | 尾端子         | C2680 T=0.35mm.亮锡100u"/镍底50u"                 |       |
| 6    | 导光体         | PC透明 UL94V-0                                  |       |
| 7    | 底座          | PBT+20%GF UL94V-0. BLACK                      |       |
| 8    | 灯座          | PBT+20%GF UL94V-0. BLACK                      |       |
| 9    | LED         | 环氧树脂, 电镀锡.                                    |       |
| 10   | USB主体       | LCP UL94V-0. BLACK                            |       |
| 11   | USB端子       | C2680接触区镀金GOLD FLASH. 焊接区亮锡100u", 镍底30u"MIN   |       |
| 12   | USB外壳       | SPCC, T=0.30mm. 镀镍30u"MIN                     |       |

YL005-017-XXX  
PART NUMBER

|  |  |   |   |
|--|--|---|---|
| THIS DRAWING IS A CONTROLLED DOCUMENT. |  | DWN<br>A. WU<br>01Jan2016   | <b>东莞市宇亮电子有限公司</b><br>DONG GUAN YU LIANG ELECTRONICS CO.,LTD<br>NAME<br><b>RJ45+USB 带弹带灯,滤波器(10/100 BASE-T)</b><br>SIZE<br>A4 |
| DIMENSIONS:<br>mm                      |  | CHEK<br>S. CHIEN<br>01Jan2016   |   |
| TOLERANCES UNLESS OTHERWISE SPECIFIED: |  | APVD<br>Abel<br>01Jan2016   |   |
| THIRD ANGLE PROJECTION                 |  | PRODUCT SPEC<br>—<br>WEIGHT<br>—  |   |
|  |  | 0 PLC ± 0.50<br>1 PLC ± 0.30<br>2 PLC ± 0.20<br>3 PLC ± 0.15<br>4 PLC ± — | DRAWING No.<br>YL005-017  |
|  |  | ANGLES ± 3°   | CUSTOMER DRAWING  |
|  |  |   | SCALE 1 : 1 SHEET 1 of 1  |