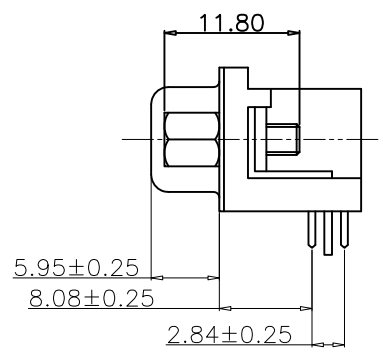
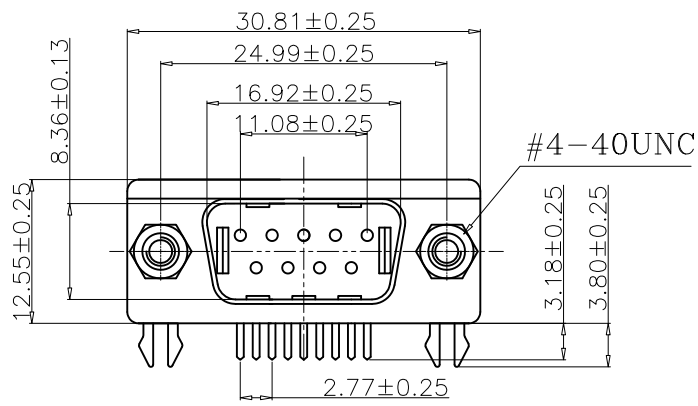
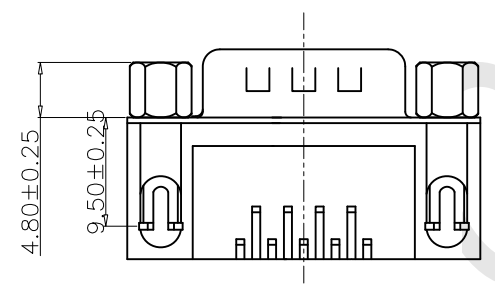




REVISIONS				
LTR	DESCRIPTION	DATE	DWN	APVD
A	RELEASED	01Jan16	AW	WK

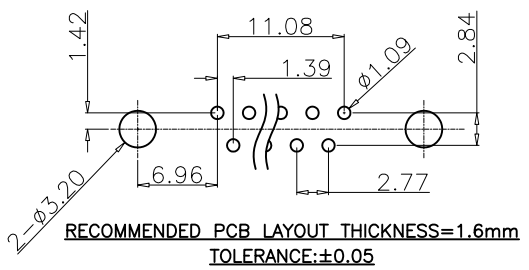


NOTE:
 1.MATERIALS AND FINISHED
 INSULATOR : PBT+30% GF UL Black 94V-0,
 SHELL : SPCC STEEL, NI FINISHED
 Harpoon:SPCC STEEL , TIN FINISHED
 Screw: SPCC STEEL ,NI FINISHED
 CONTACT MATERIAL : BRASS, Half the Gold Plating G/F
 RIVETED INSERT: BRASS MATERIAL ,TIN FINISHED
 WITH #4-40 THREADED ASSEMBLED
 Note: 9 PIN male head 8.08 flashboard, dustproof hood,
 iron lock screw 4.8 * 11.8mm, 3.18 mm exposed end



2.ELECTRICAL CHARACTERISTICS
 CURRENT RATING : 1.0 AMP DC
 VOLTAGE RATING: 300 V DC
 CONTACT RESISTANCE :20 MILLIOHMS MAX.
 DIELECTRIC WITHSTANDING VOLTAGE : 500 V AC MIN.
 INSULATION RESISTANCE : 1000 MEGAOHMS MIN.

3.ENVIRONMENTAL
 OPERATING TEMPERATURE: -55°C ~ +85°C
 STORAGE TEMPERATURE:-55°C ~ +105°C



YL013-012-001
 PART NUMBER

THIS DRAWING IS A CONTROLLED DOCUMENT.		DWN A. WU 01Jan2016	东莞市宇亮电子有限公司 DONG GUAN YU LIANG ELECTRONICS CO.,LTD	
DIMENSIONS: mm		CHEK S. CHIEN 01Jan2016		
TOLERANCES UNLESS OTHERWISE SPECIFIED:		APVD Abel 01Jan2016	NAME D-SUB MALE CONNECTOR 8.08mm FOOTPRINT 9PIN	
0 PLC ± 0.50 1 PLC ± 0.30 2 PLC ± 0.20 3 PLC ± 0.15 4 PLC ± -		PRODUCT SPEC -	SIZE A4	DRAWING No. Y=YL013-012
THIRD ANGLE PROJECTION		WEIGHT -	CUSTOMER DRAWING	
ANGLES ± 3°		SCALE 1 : 1		SHEET 1 of 1