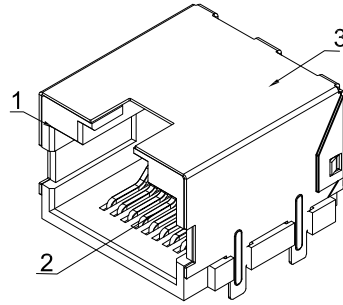
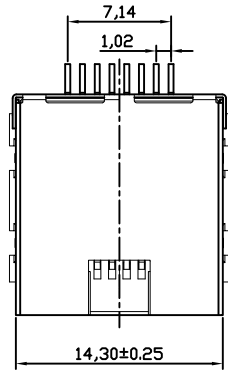
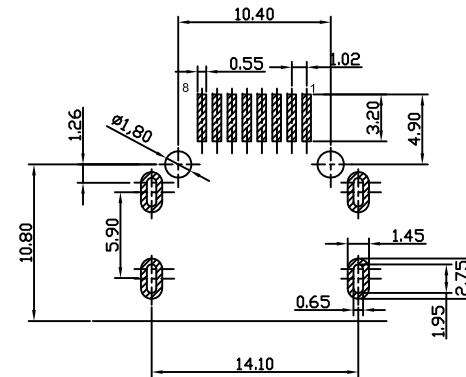
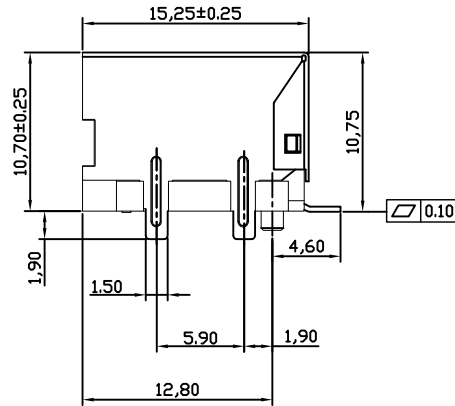
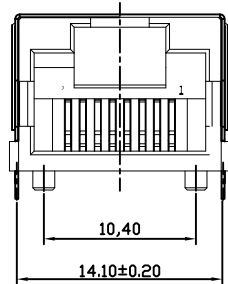




REVISIONS				
LTR	DESCRIPTION	DATE	DWN	APVD
A	RELEASED	01Jan16	AW	WK



NOTE:
 1. MATERIAL:
 HOUSING: LCP BLACK UL94V-0.
 RJ CONTACT: PHOSPHOR BRONZE T=0.35mm.
 SHELL: COPPY ALLOY T=0.20mm.
 LED PIN: T=0.50mm.
 2. FINISH :
 RJ CONTACT: AU/100u" SN/50u" NI PLATED
 SHELL : NI PLATING
 3. MECHANICAL CHARACTERISTICS :
 INSERTION FORCE : 22N MAX.
 REMOVAL FORCE(WITHOUT PLUG LOCK) : 22N MAX.
 PLUG LOCKING RETENTION FORCE : 50N MIN./60sec
 DURABILITY : 750 TIMES
 4. OPERATING TEMPERATURE : 0°C ~ 70°C



PCBLAYOUT
±0.05

YL005-016-XXX
PART NUMBER

3	外壳	黄铜 T=0.20	1	Ni 50u"
2	端子	磷铜 T=0.35	8	AU 15u"
1	主体	LCP BLACK	1	UL94V-0
序号	名称	材料	数量	备注

THIS DRAWING IS A CONTROLLED DOCUMENT.		DWN A. WU 01Jan2016	东莞市宇亮电子有限公司 DONG GUAN YU LIANG ELECTRONICS CO.,LTD	
DIMENSIONS: mm		CHEK S. CHIEN 01Jan2016		
TOLERANCES UNLESS OTHERWISE SPECIFIED: 0 PLC ± 0.50 1 PLC ± 0.30 2 PLC ± 0.20 3 PLC ± 0.15 4 PLC ± - ANGLES ± 3°		APVD Abel 01Jan2016	NAME RJ45 TAB UP 前插后贴	
THIRD ANGLE PROJECTION		PRODUCT SPEC — WEIGHT —	SIZE A4	DRAWING No. YL005-016
CUSTOMER DRAWING			SCALE 1 : 1	SHEET 1 of 1