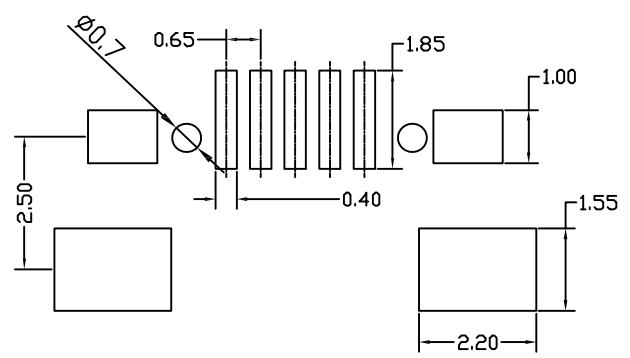
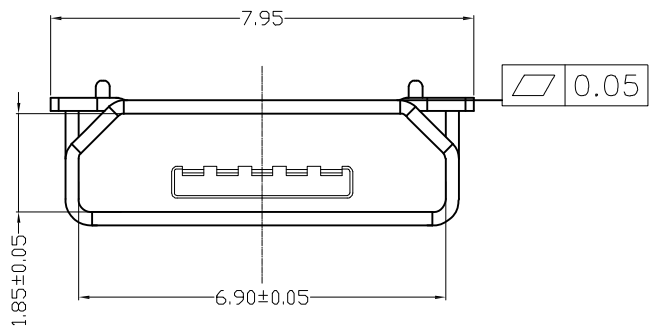


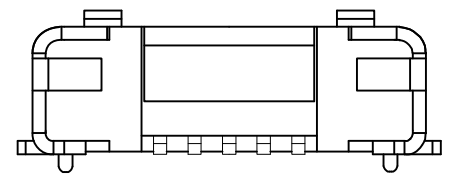
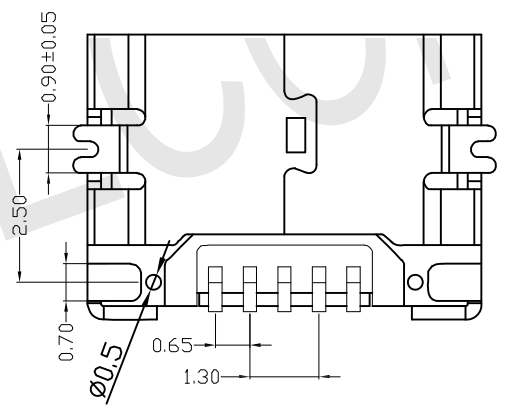
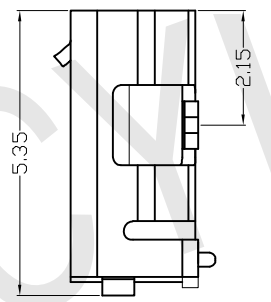
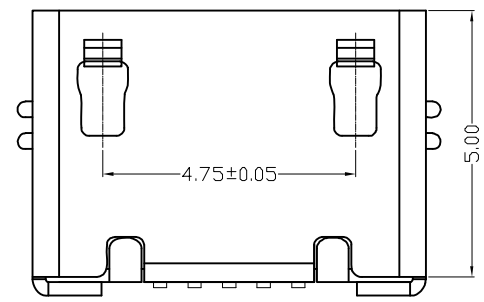


REVISIONS				
LTR	DESCRIPTION	DATE	DWN	APVD
A	RELEASED	01Jan16	AW	WK



NOTES:
 1.MATERIAL:
 1.1 Housing: thermoplastic plastics,
 1.2 terminals:Copper Alloy
 Gold plated overall
 1.3 Shell:Steel&Copper Alloy
 Nickel/Tin Plated overall
 2.ELECTRICAL CHARACTERISTICS:
 2.1 Rating Current :1.5 Ampere
 2.2 Rating Voltage :30 V Max
 2.3 Contact Resistance:50 Milli ohms
 2.4 Insulation Resistance:100 Mega ohms Min.
 3.MECHANICAL CHARACTERISTICS:
 3.1 Connector Mating force: 35N MAX
 3.2 Connector Unmating force:7N min
 4.ENVIRONMENT CHARACTERISTICS:
 4.1 Operating temperature:-0°C to +50°C
 4.2 Storage temperature:-20°C to +60°C

RECOMMENDED PCB LAYOUT



YL001-008-001
 PART NUMBER

THIS DRAWING IS A CONTROLLED DOCUMENT.		DWN A. WU 01Jan2016	东莞市宇亮电子有限公司 DONG GUAN YU LIANG ELECTRONICS CO.,LTD	
DIMENSIONS: mm		CHEK S. CHIEN 01Jan2016		
TOLERANCES UNLESS OTHERWISE SPECIFIED: 0 PLC ± 0.50 1 PLC ± 0.30 2 PLC ± 0.20 3 PLC ± 0.15 4 PLC ± - ANGLES ± 3°		APVD Abel 01Jan2016	MICRO 5P FEMALE B TYPE 四脚全贴无卷边有柱	
THIRD ANGLE PROJECTION		PRODUCT SPEC —	SIZE A4	DRAWING No. Y=YL001-008
		WEIGHT —	CUSTOMER DRAWING	SCALE 1 : 1 SHEET 1 of 1