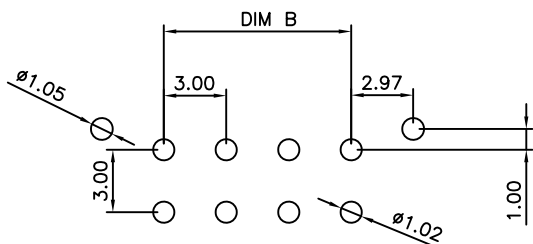
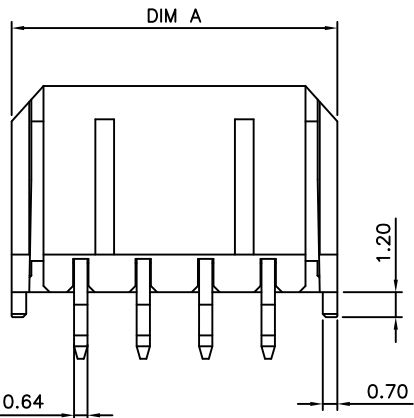
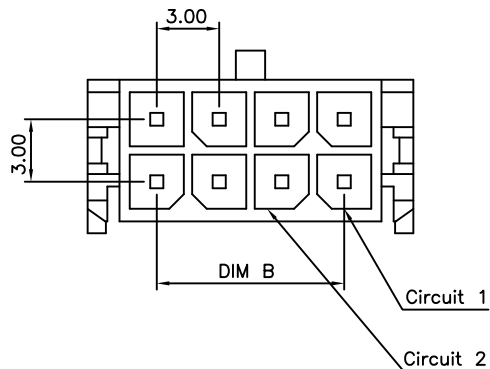
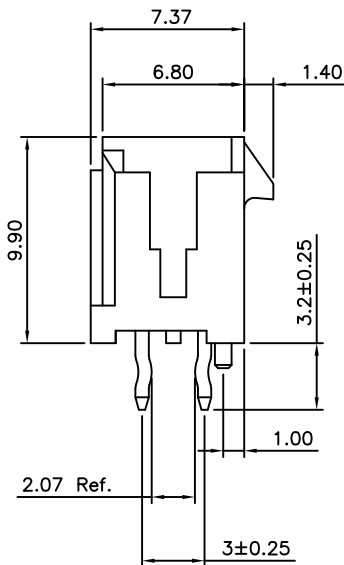




REVISIONS				
LTR	DESCRIPTION	DATE	DWN	APVD
A	RELEASED	01Jan16	AW	WK



PCB LAYOUT



Specifications:

Current Rating:5.0A AC/DC  
 Voltage Rating:250V AC/DC  
 Contact Resistance:10m ohm. Max.  
 Insulation Resistance:1000M ohm. Min.  
 Withstanding Voltage:AC 1500V AC/minute  
 Operating Temperature Range:-25°C ~ +105°C  
 Material and Finish  
 Insulator:High Temp. Plastic (Nylon 46 UL94V-0)/LCP  
 Insulator Color:Black  
 Contact:Copper Alloy  
 Finish:Tin Plated/Gold plated  
 How to Order

YL009-005-X XX

Tin Plated/PA46:0  
 Gold plated/PA46:B  
 Tin Plated/PA66:C

No.Of Positions  
 02 : 2\*1 pin  
 06 : 2\*3 pin  
 08 : 2\*4 pin  
 .....

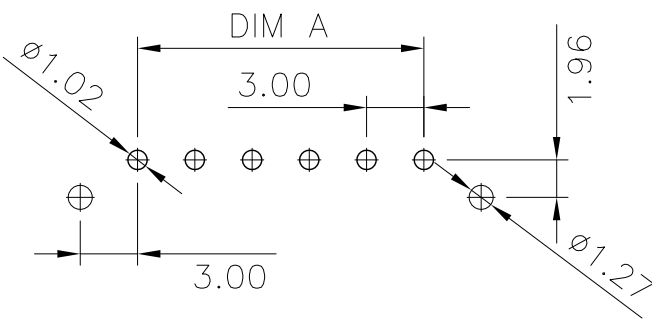
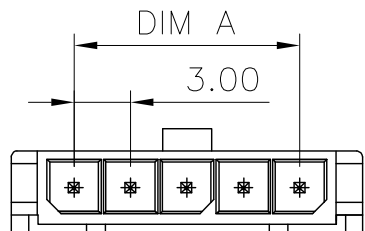
Circuits	Dimension		Circuits	Dimension	
	A	B		A	B
2	6.7	—	14	24.7	18.0
4	9.7	3.0	16	27.7	21.0
6	12.7	6.0	18	30.7	24.0
8	15.7	9.0	20	33.7	27.0
10	18.7	12.0	22	36.7	30.0
12	21.7	15.0	24	39.7	33.0

THIS DRAWING IS A CONTROLLED DOCUMENT.		DWN A. WU	01Jan2016	东莞市宇亮电子有限公司 DONG GUAN YU LIANG ELECTRONICS CO., LTD	
DIMENSIONS: mm		CHEK S. CHIEN	01Jan2016		
TOLERANCES UNLESS OTHERWISE SPECIFIED:		APVD Abel	01Jan2016	NAME MX3.0 2xNP SQ11.0/3.2 S/T, 打K脚	
THIRD ANGLE PROJECTION		PRODUCT SPEC —	—	SIZE A4	DRAWING No. Ⓒ=YL009-005
		WEIGHT —	—	CUSTOMER DRAWING	
				SCALE 1 : 1	SHEET 1 of 2

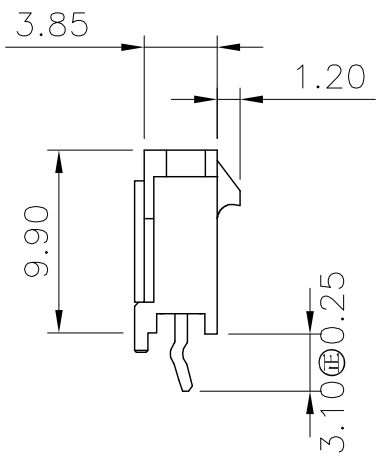
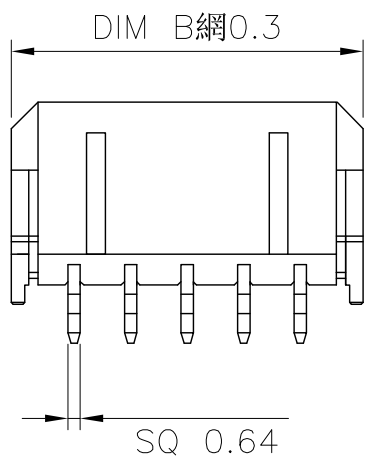


REVISIONS				
LTR	DESCRIPTION	DATE	DWN	APVD
A	RELEASED	2018\10\19	AW	WK

- 产品规范 PRODUCT SPECIFICATION
1. 绝缘材质 INSULATOR MATERIAL : POLYESTER, UL94V-0 .
  2. 端子材质 TERMINAL MATERIAL : COPPER ALLOY .
  3. 端子电镀 FINISH : TIN PLATED OVER NICKEL.
  4. 额定电流 CURRENT RATING : 5 AMPERE.
  5. 绝缘阻抗 INSULATION RESISTANCE : 1000M OHMS MIN.
  6. 耐电压 DIELECTRIC WITHSTANDING VOLTAGE : 1000 V /1 MINUTE.
  7. 接触阻抗 CONTACT RESISTANCE : 初期 Initial : 10 m Ohm Max. ;  
测试后 Final : 40 m Ohm Max. .
  8. 操作温度范围 OPERATING TEMPERATURE : - 40°C to +105°C.
  9. 适用线规 APPLICATION WIRES : #20AWG TO #24AWG .



RECOMMENDED PCB LAYOUT

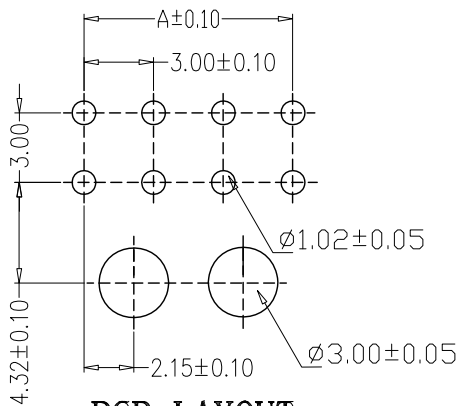
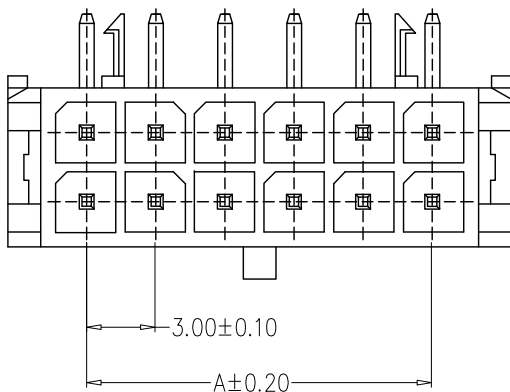
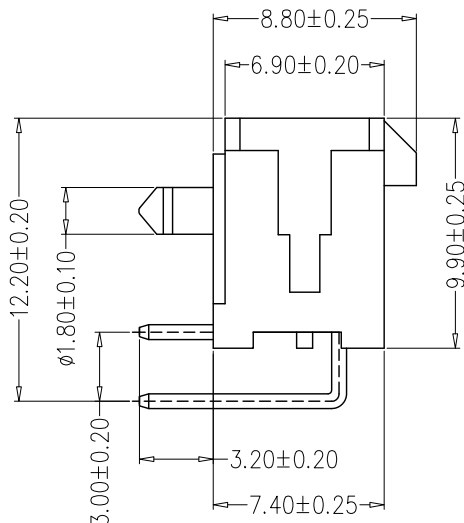
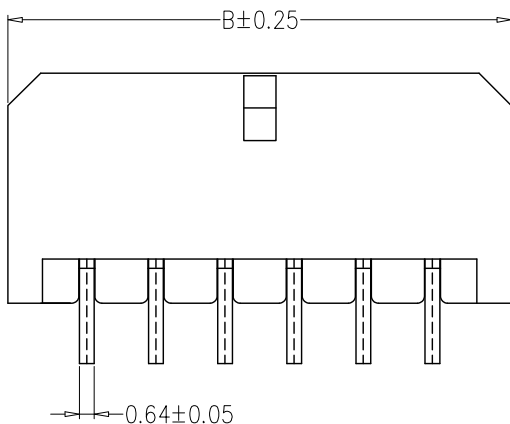


PART NO.  
YL009-022-XXX  
002:2P  
003:3P  
....  
012:12P

PIN No.	DIM A	DIM B
2	3.00	9.65
3	6.00	12.65
4	9.00	15.65
5	12.00	18.65
6	15.00	21.65
7	18.00	24.65
8	21.00	27.65
9	24.00	30.65
10	27.00	33.65
11	30.00	36.65
12	33.00	39.65

YL009-022-XXX  
PART NUMBER

THIS DRAWING IS A CONTROLLED DOCUMENT.		DWN A. WU 2018\10\19	<b>东莞市宇亮电子有限公司</b> DONG GUAN YU LIANG ELECTRONICS CO., LTD	
DIMENSIONS: mm		CHEK S. CHIEN 2018\10\19		
TOLERANCES UNLESS OTHERWISE SPECIFIED:		APVD Abel 2018\10\19	MX 3.0 单排 板端插座 180° DIP, K脚, 带定位柱.	
 THIRD ANGLE PROJECTION		PRODUCT SPEC —	SIZE A4	DRAWING No. Y=YL009-022
0 PLC ± 0.50 1 PLC ± 0.30 2 PLC ± 0.20 3 PLC ± 0.15 4 PLC ± - ANGLES ± 3°		WEIGHT —	CUSTOMER DRAWING	
		SCALE 1 : 1		SHEET 1 of 1



**PCB LAYOUT**

REVISIONS

LTR	DESCRIPTION	DATE	DWN	APVD
A	RELEASED	01Jan16	AW	WK

**SPECIFICATIONS**

- 1、Current Rating: 5A AC, DC
- 2、Voltage Rating: 600V AC, DC
- 3、Temperatuer Range: -25°C~+85°C
- 4、Contact Resistance: 20mΩ Max
- 5、Insulation Resistance: 1000MΩ Min
- 6、Withstanding Voltang: 1500V AC/minute
- 7、Material:Wafer Nylon9T, UL94V-0  
PIN Brass Tin-plated

PART NO.

YL009-006-E XX

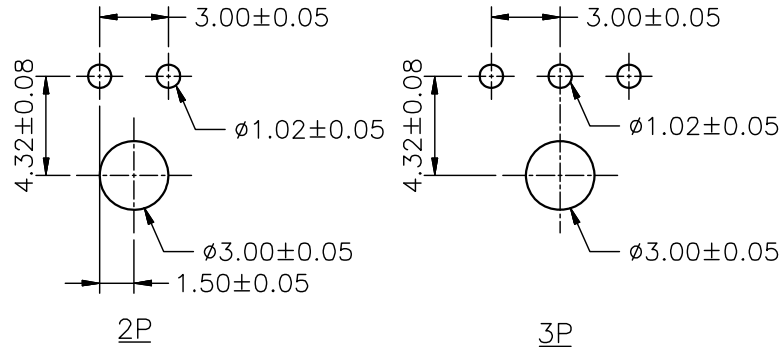
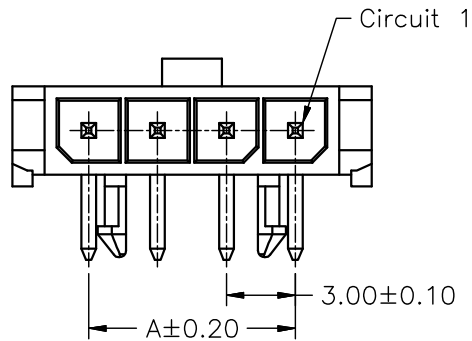
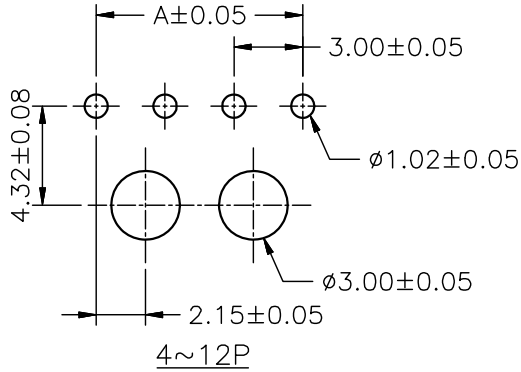
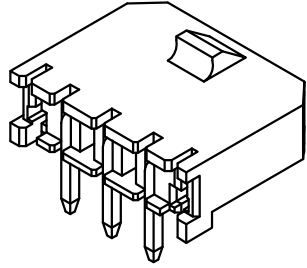
- 02:2\*1P
- 04:2\*2P
- .....
- 24:2\*12P

PIN	尺寸(mm)	
	A	B
2X02	3.00	9.65
2X03	6.00	12.65
2X04	9.00	15.65
2X05	12.00	18.65
2X06	15.00	21.65
2X07	18.00	24.65
2X08	21.00	27.65
2X09	24.00	30.65
2X10	27.00	33.65
2X11	30.00	36.65
2X12	33.00	39.65

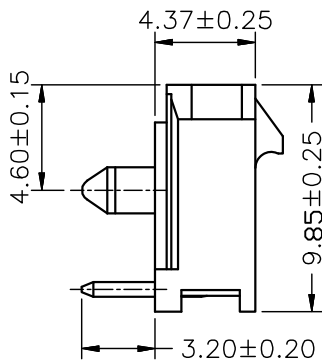
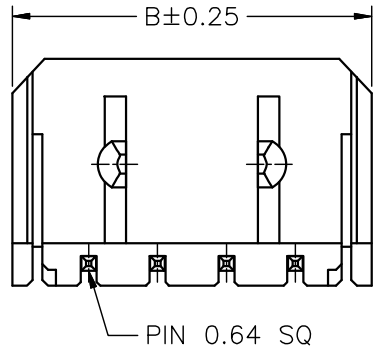
YL009-006-EXX

PART NUMBER

THIS DRAWING IS A CONTROLLED DOCUMENT.		DWN A. WU 01Jan2016	东莞市宇亮电子有限公司 DONG GUAN YU LIANG ELECTRONICS CO., LTD									
DIMENSIONS: mm		CHEK S. CHIEN 01Jan2016										
TOLERANCES UNLESS OTHERWISE SPECIFIED:		APVD Abel 01Jan2016	MX3.0 90° DIP WAFER TYPE									
<table border="0"> <tr><td>0 PLC</td><td>± 0.50</td></tr> <tr><td>1 PLC</td><td>± 0.30</td></tr> <tr><td>2 PLC</td><td>± 0.20</td></tr> <tr><td>3 PLC</td><td>± 0.15</td></tr> <tr><td>4 PLC</td><td>± -</td></tr> </table>		0 PLC			± 0.50	1 PLC	± 0.30	2 PLC	± 0.20	3 PLC	± 0.15	4 PLC
0 PLC	± 0.50											
1 PLC	± 0.30											
2 PLC	± 0.20											
3 PLC	± 0.15											
4 PLC	± -											
THIRD ANGLE PROJECTION		WEIGHT —	SIZE A4	DRAWING No. C=YL009-006								
CUSTOMER DRAWING			SCALE 1 : 1	SHEET 3 of 3								



P.C.B LAYOUT



PART NO. YL009-018-AXX

A02:2P  
 A03:3P  
 A04:4P  
 .....

REVISIONS				
LTR	DESCRIPTION	DATE	DWN	APVD
A	RELEASED	2018\05\07	AW	WK

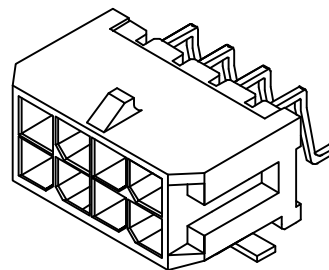
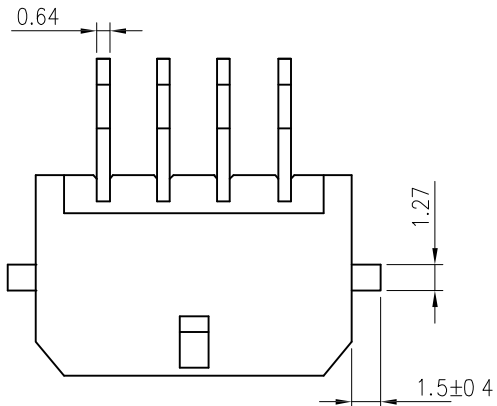
SPECIFICATIONS

Current Rating: 5A AC,DC  
 Voltage Rating: 250V AC,DC  
 Temperature Range: -25°C ~ +85°C  
 Contact Resistance: 10mΩ Max  
 Insulation Resistance: 1000MΩ Min  
 Withstanding Voltage: 1500V AC/minute  
 Pin Material: Brass/Tin-plated  
 Material: PBT15%GF,UL94V-0  
 Color: Natural(Black)

PART NO.	A	B
2P	3.00	9.65
3P	6.00	12.65
4P	9.00	15.65
5P	12.00	18.65
6P	15.00	21.65
7P	18.00	24.65
8P	21.00	27.65
9P	24.00	30.65
10P	27.00	33.65
11P	30.00	36.65
12P	33.00	39.65

YL009-018-AXX  
 PART NUMBER

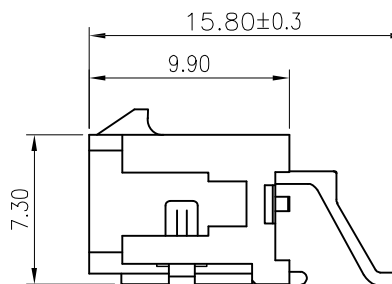
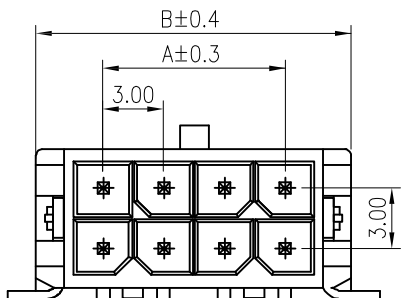
THIS DRAWING IS A CONTROLLED DOCUMENT.		DWN	2018\05\07	东莞市宇亮电子有限公司 DONG GUAN YU LIANG ELECTRONICS CO., LTD	
DIMENSIONS: mm		CHEK	2018\05\07		
TOLERANCES UNLESS OTHERWISE SPECIFIED:		APVD	2018\05\07	NAME MX 3.0 单排 DIP 90° 插座 带柱	
0 PLC ± 0.50		PRODUCT SPEC	—	SIZE	DRAWING No.
1 PLC ± 0.30		WEIGHT	—	A4	©=YL009-018
2 PLC ± 0.20		CUSTOMER DRAWING			
3 PLC ± 0.15		SCALE	1 : 1	SHEET 2 of 2	
4 PLC ± -					
ANGLES ± 3°					



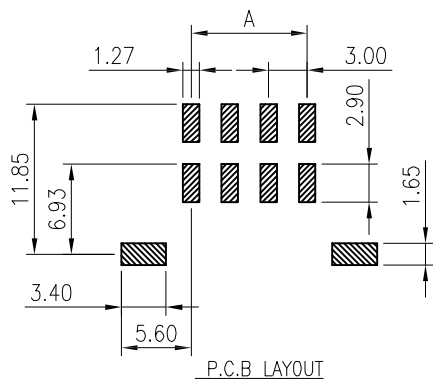
Material:Pin:Brass Matte-Tin Plated  
 Base:LCP UL94-V0,Black  
 Circuits:2-24  
 Contact Resistance:10mΩ Max  
 Insulation Resistance:1000MΩ Min  
 Withstanding Voltage:1500V AC/minute  
 Current Rating:5A AC,DC  
 Voltage Rating:250V AC,DC  
 Temperature Range:-25°C~+85°C

PARO NO.  
 YL009-034-X XX

02:2\*1P  
 04:2\*2P  
 .....  
 24:2\*12P



PIN数	A	B
2*1P	—	6.65
2*2P	3.00	9.65
2*3P	6.00	12.65
2*4P	9.00	15.65
2*5P	12.00	18.65
2*6P	15.00	21.65
2*7P	18.00	24.65
2*8P	21.00	27.65
2*9P	24.00	30.65
2*10P	27.00	33.65
2*11P	30.00	36.65
2*12P	33.00	39.65



A	RELEASED	2017\03\17	杨磊	
LTR (版本)	DESCRIPTION (变更内容描述)	DATE (日期)	DWN (绘图)	APVD (核准)
REVISIONS (修订)				

THIS DRAWING IS A CONTROLLED DOCUMENT.  
 (此图为宇亮公司受控文件)

DIMENSIONS: (单位) mm

TOLERANCES UNLESS OTHERWISE SPECIFIED: (自由公差参照)

0 PLC	± 0.50
1 PLC	± 0.30
2 PLC	± 0.20
3 PLC	± 0.15
4 PLC	± -

ANGLES (角度公差) ± 3'

THIRD ANGLE PROJECTION (第三视角)

DWN (绘图) 2017\03\17 杨磊

CHEK (审核) 2017\03\17

APVD (核准) 2017\03\17

PRODUCT SPEC (产品规范)

WEIGHT (产品重量)

东莞市宇亮电子有限公司  
 DONG GUAN YU LIANG ELECTRONICS CO., LTD

NAME (品名) MX3.0 双排针座 卧贴 Sn LCP

SIZE (尺寸) A4

DRAWING No. (图号) YL009-034

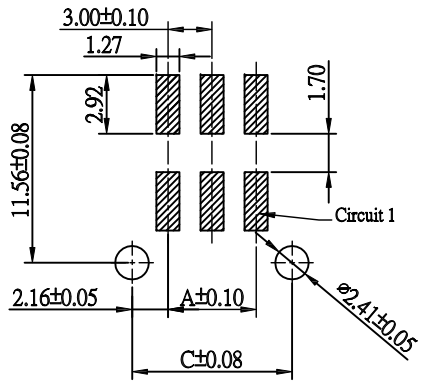
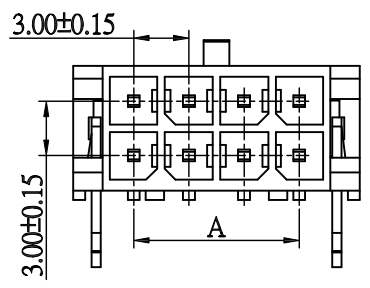
CUSTOMER DRAWING (业务图)

SCALE (比例) 1 : 1

SHEET (页码) 1 OF 1



REVISIONS				
LTR	DESCRIPTION	DATE	DWN	APVD
A	RELEASED	2019\05\18	AW	WK

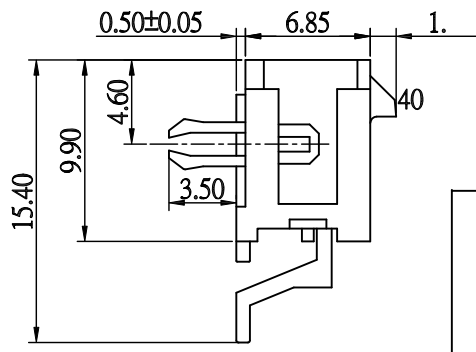
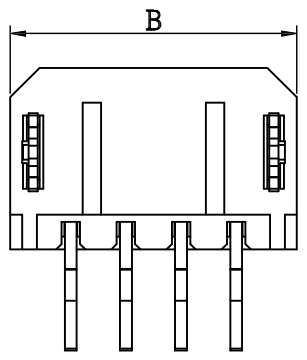


P.C.B LAYOUT

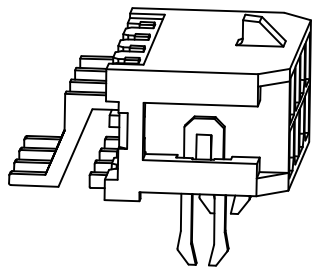
Material:Pin:Brass Matte-Tin Plated  
 Base:LCP UL94-V0,Black  
 Circuits:2-24  
 Contact Resistance:10mΩ Max  
 Insulation Resistance:1000MΩ Min  
 Withstanding Voltage:1500V AC/minute  
 Current Rating:5A AC,DC  
 Voltage Rating:250V AC,DC  
 Temperature Range:-25°C~+85°C

Dimensions

circuit	A	B	C	circuit	A	B	C
2*1	--	6.70	4.30	2*7	18.00	24.70	22.30
2*2	3.00	9.70	7.30	2*8	21.00	27.70	25.30
2*3	6.00	12.70	10.30	2*9	24.00	30.70	28.30
2*4	9.00	15.70	13.30	2*10	27.00	33.70	31.30
2*5	12.00	18.70	16.30	2*11	30.00	36.70	34.30
2*6	15.00	21.70	19.30	2*12	33.00	39.70	37.30



PART NO.  
 YL009-038-0 XX  
 02:2\*1P  
 04:2\*2P  
 06:2\*3P



YL009-038-XXX  
 PART NUMBER

THIS DRAWING IS A CONTROLLED DOCUMENT.		DWN A. WU	2019\05\18	东莞市宇亮电子有限公司 DONG GUAN YU LIANG ELECTRONICS CO., LTD	
DIMENSIONS: mm		CHEK S. CHIEN	2019\05\18		
TOLERANCES UNLESS OTHERWISE SPECIFIED:		APVD Abel	2019\05\18	MX3.0 双排针座 卧贴 带鱼叉脚	
THIRD ANGLE PROJECTION		PRODUCT SPEC	—		
0 PLC ± 0.50 1 PLC ± 0.30 2 PLC ± 0.20 3 PLC ± 0.15 4 PLC ± — ANGLES ± 3°		WEIGHT	—	SIZE A4	DRAWING No. ©=YL009-038
CUSTOMER DRAWING			SCALE 1 : 1	SHEET 1 of 2	

5 4 3 2 1

RoHS compliant  
Pb Lead-free

P,C,B LAYOUT

REVISIONS				
LTR	DESCRIPTION	DATE	DWN	APVD
A	RELEASED	2018\01\17		

Material:Pin:Brass Matte-Tin Plated  
Base:LCP UL94-V0  
Circuits:2-24  
Contact Resistance:10mΩ Max  
Insulation Resistance:1000MΩ Min  
Withstanding Voltage:1500V AC/minute  
Current Rating:5A AC,DC  
Voltage Rating:250V AC,DC  
Temperature Range:-25°C ~+85°C

PART NO.

YL009-027- C XX

02:2\*1P  
04:2\*2P  
06:2\*3P

Dimensions

circuit	A	B	C	circuit	A	B	C
2*1	--	6.65	11.20	2*7	18.00	24.65	29.20
2*2	3.00	9.65	14.20	2*8	21.00	27.65	32.20
2*3	6.00	12.65	17.20	2*9	24.00	30.65	35.20
2*4	9.00	15.65	20.20	2*10	27.00	33.65	38.20
2*5	12.00	18.65	23.20	2*11	30.00	36.65	41.20
2*6	15.00	21.65	26.20	2*12	33.00	39.65	44.20

YL009-027-XXX

PART NUMBER

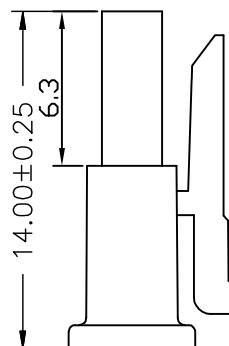
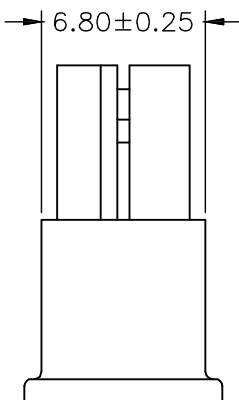
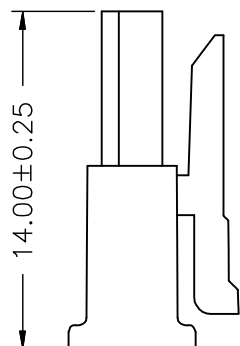
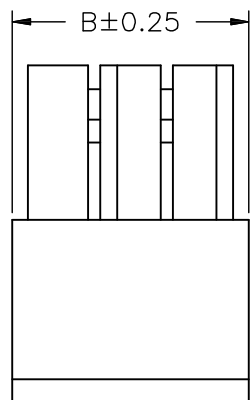
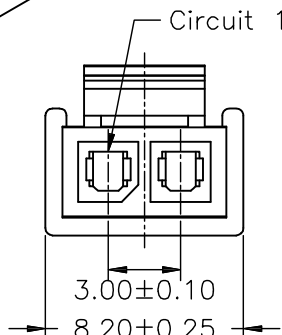
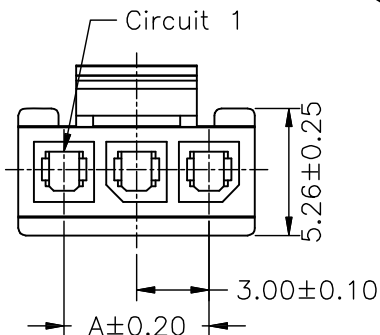
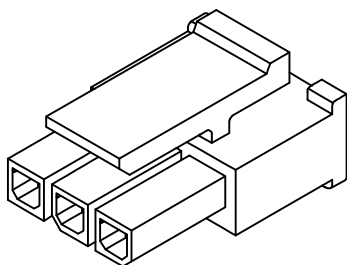
THIS DRAWING IS A CONTROLLED DOCUMENT.		DWN 杨磊	2018\01\17	<b>东莞市宇亮电子有限公司</b> DONG GUAN YU LIANG ELECTRONICS CO.,LTD	
DIMENSIONS: mm	TOLERANCES UNLESS OTHERWISE SPECIFIED:	CHEK	2018\01\17		
THIRD ANGLE PROJECTION	0 PLC ± 0.50 1 PLC ± 0.30 2 PLC ± 0.20 3 PLC ± 0.15 4 PLC ± - ANGLES ± 3°	APVD	2018\01\17	NAME <b>MX 3.0 双排 板端插座 180° SMT, 带焊片 雾锡 LCP</b>	
			PRODUCT SPEC		SIZE A4
		WEIGHT		SCALE 1 : 1	
		CUSTOMER DRAWING		SHEET 2 of 2	

科技 链接 未来

TEL:0769-83710858

FAX:0769-83710918

Http://www.dgyuliang.com



3P~12P

2P

REVISIONS				
LTR	DESCRIPTION	DATE	DWN	APVD
A	RELEASED	05Jan16	AW	WK

SPECIFICATIONS

Current Rating: 5A AC,DC  
 Voltage Rating: 250V AC,DC  
 Temperature Range: -25°C ~ +85°C  
 Contact Resistance: 10mΩ Max  
 Insulation Resistance: 1000MΩ Min  
 Withstanding Voltage: 1500V AC/minute  
 Material: Nylon 66,UL94V-2  
 Color: Black

YL009-004-XXX

002:2P  
 003:3P

Dimensions

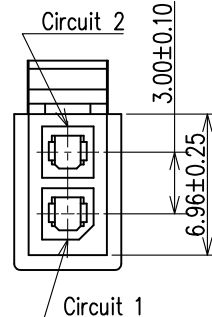
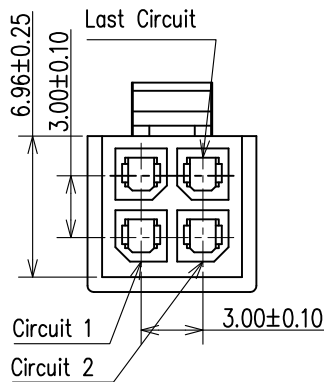
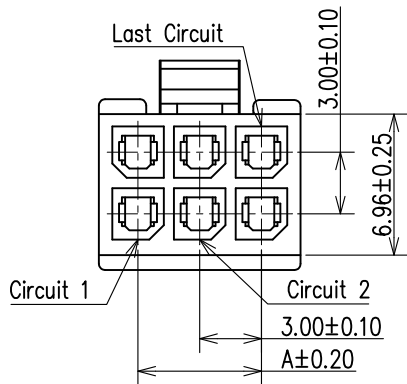
PART NO.	Dimensions	
	A	B
2P	3.00	6.80
3P	6.00	9.80
4P	9.00	12.80
5P	12.00	15.80
6P	15.00	18.80
7P	18.00	21.80
8P	21.00	24.80
9P	24.00	27.80
10P	27.00	30.80
11P	30.00	33.80
12P	33.00	36.80

THIS DRAWING IS A CONTROLLED DOCUMENT.		DWN	08Jan2016	东莞市宇亮电子有限公司 DONG GUAN YU LIANG ELECTRONICS CO.,LTD									
DIMENSIONS: mm		CHEK	08Jan2016										
TOLERANCES UNLESS OTHERWISE SPECIFIED:		APVD	08Jan2016	Pitch3.0mm Male Housing TYPE(B) Molex3.0单排公胶壳									
<table border="0"> <tr><td>0 PLC</td><td>± 0.50</td></tr> <tr><td>1 PLC</td><td>± 0.30</td></tr> <tr><td>2 PLC</td><td>± 0.20</td></tr> <tr><td>3 PLC</td><td>± 0.15</td></tr> <tr><td>4 PLC</td><td>± -</td></tr> </table>		0 PLC	± 0.50			1 PLC	± 0.30	2 PLC	± 0.20	3 PLC	± 0.15	4 PLC	± -
0 PLC	± 0.50												
1 PLC	± 0.30												
2 PLC	± 0.20												
3 PLC	± 0.15												
4 PLC	± -												
THIRD ANGLE PROJECTION		PRODUCT SPEC		SIZE	DRAWING No.								
		WEIGHT		A4	Y=YL009-004								
CUSTOMER DRAWING			SCALE	1 : 1	SHEET 1 of 1								

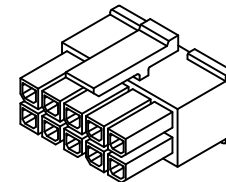




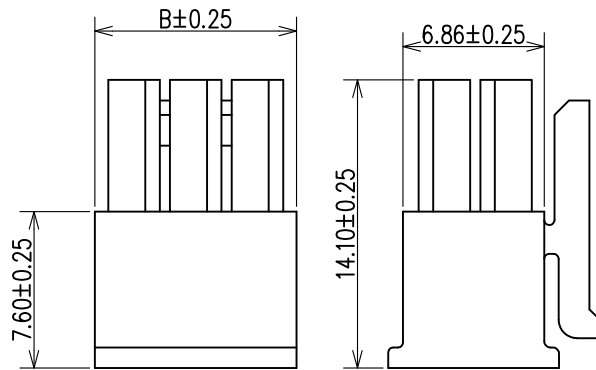
REVISIONS				
LTR	DESCRIPTION	DATE	DWN	APVD
A	RELEASED	2018\08\27	AW	WK



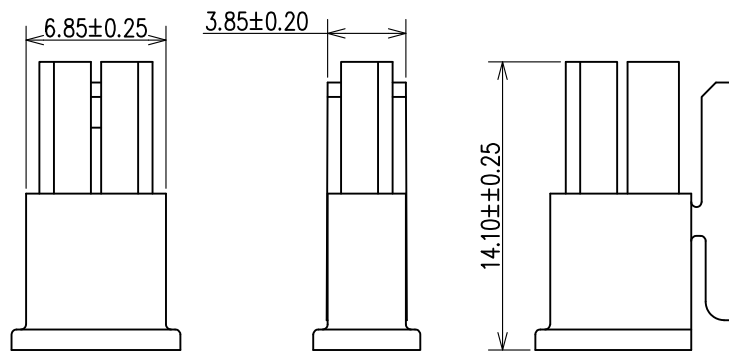
**SPECIFICATIONS**  
 Current Rating: 5A AC, DC  
 Voltage Rating: 250V AC, DC  
 Temperature Range: -40° C ~ +105° C  
 Contact Resistance: 10mΩMax  
 Insulation Resistance: 1000MΩmin  
 Withstanding Voltage: 1500V AC/minute  
 Material: Nylon66



PART NO.  
 YL009-001-D XX  
 02:2\*1P  
 04:2\*2P  
 24:2\*12P



2x03P~2x12P



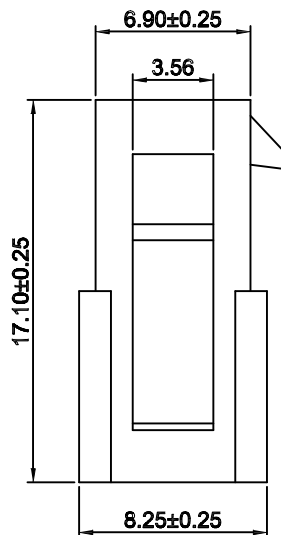
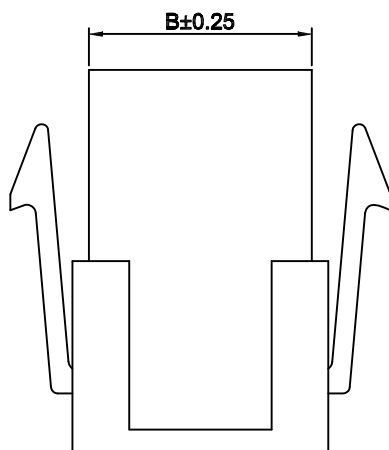
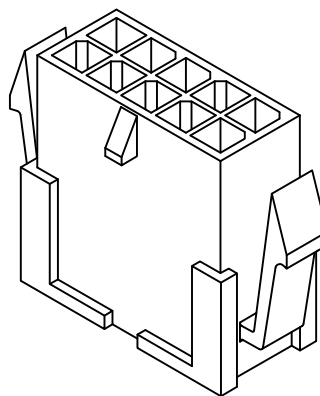
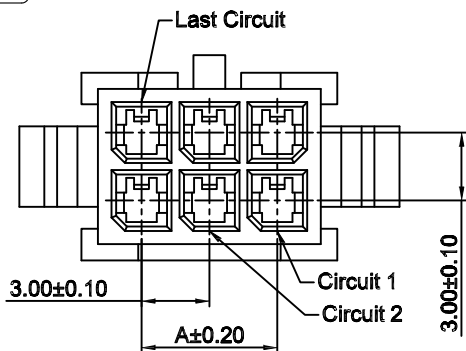
2x02P

2x01P

P in	Dimensions	
	A	B
2x01P	-----	3.85
2x02P	3.00	6.85
2x03P	6.00	9.85
2x04P	9.00	12.85
2x05P	12.00	15.85
2x06P	15.00	18.85
2x07P	18.00	21.85
2x08P	21.00	24.85
2x09P	24.00	27.85
2x10P	27.00	30.85
2x11P	30.00	33.85
2x12P	33.00	36.85

YL009-001-DXX  
 PART NUMBER

THIS DRAWING IS A CONTROLLED DOCUMENT.		DWN	2018\08\27	东莞市宇亮电子有限公司 DONG GUAN YU LIANG ELECTRONICS CO., LTD	
DIMENSIONS: mm		CHEK	2018\08\27		
TOLERANCES UNLESS OTHERWISE SPECIFIED:		APVD	2018\08\27	MX 3.0 双排 公胶壳	
0 PLC ± 0.50		PRODUCT SPEC	---		
1 PLC ± 0.30		WEIGHT	---	SIZE	DRAWING No.
2 PLC ± 0.20		THIRD ANGLE PROJECTION		A4	Ⓒ=YL009-001
3 PLC ± 0.15		CUSTOMER DRAWING		SCALE	SHEET
4 PLC ± -		1 : 1		6 of 6	
ANGLES ± 3'					



REVISIONS				
LTR	DESCRIPTION	DATE	DWN	APVD
A	RELEASED	2018\11\29	AW	WK

**Reference Informations:**  
 \*Material:Nylon 66,UL94V-0  
 \*Color:Black

**Ordering Information & Dimensions:**

PART NO.	Dimensions	
	A	B
2x1P	---	3.85
2x2P	3.00	6.85
2x3P	6.00	9.85
2x4P	9.00	12.85
2x5P	12.00	15.85
2x6P	15.00	18.85
2x7P	18.00	21.85
2x8P	21.00	24.85
2x9P	24.00	27.85
2x10P	27.00	30.85
2x11P	30.00	33.85
2x12P	33.00	36.85

PART NO.  
YL009-035-B XX

02:2\*1P  
 04:2\*2P  
 06:2\*3P  
 08:2\*4P

YL009-035-BXX  
 PART NUMBER

THIS DRAWING IS A CONTROLLED DOCUMENT.		DWN A. WU	2018\11\29	东莞市宇亮电子有限公司 DONG GUAN YU LIANG ELECTRONICS CO., LTD	
DIMENSIONS: mm		CHEK S. CHIEN	2018\11\29		
TOLERANCES UNLESS OTHERWISE SPECIFIED:		APVD Abel	2018\11\29	NAME MX3.0 双排母胶壳 带翅膀	
0 PLC ± 0.50		PRODUCT SPEC	---		
1 PLC ± 0.30		WEIGHT	---	SIZE A4	DRAWING No. ©=YL009-035
2 PLC ± 0.20		THIRD ANGLE PROJECTION		CUSTOMER DRAWING	SCALE 1 : 1
3 PLC ± 0.15					SHEET 2 of 2
4 PLC ±					
ANGLES ± 3'					



## REVISIONS

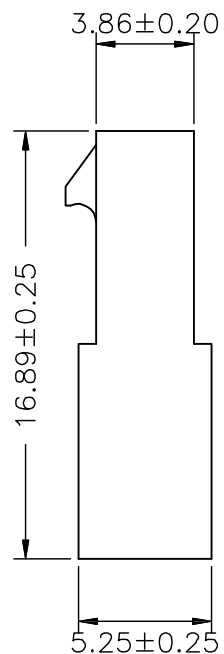
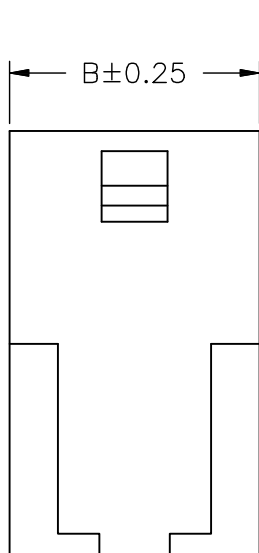
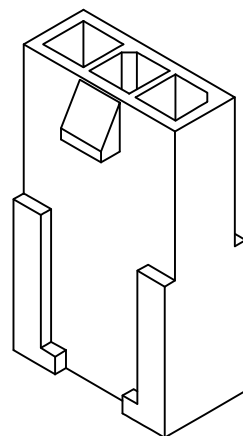
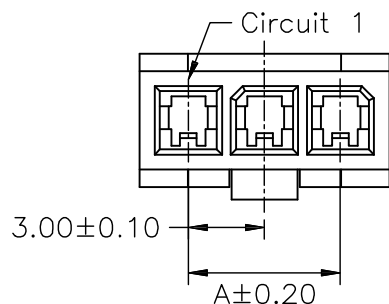
LTR	DESCRIPTION	DATE	DWN	APVD
A	RELEASED	05Jan16	AW	WK

## SPECIFICATIONS

Current Rating: 5A AC,DC  
 Voltage Rating: 250V AC,DC  
 Temperature Range: -25°C ~ +85°C  
 Contact Resistance: 10mΩ Max  
 Insulation Resistance: 1000MΩ Min  
 Withstanding Voltage: 1500V AC/minute  
 Material: Nylon 66,UL94V-2  
 Color: Black

## Dimensions

PART NO.	Dimensions	
	A	B
2P	3.00	6.85
3P	6.00	9.85
4P	9.00	12.85
5P	12.00	15.85
6P	15.00	18.85
7P	18.00	21.85
8P	21.00	24.85
9P	24.00	27.85
10P	27.00	30.85
11P	30.00	33.85
12P	33.00	36.85



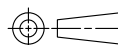
THIS DRAWING IS A CONTROLLED DOCUMENT.

DWN 08Jan2016

DIMENSIONS:  
mmTOLERANCES UNLESS  
OTHERWISE SPECIFIED:

0 PLC	± 0.50
1 PLC	± 0.30
2 PLC	± 0.20
3 PLC	± 0.15
4 PLC	± -

ANGLES ± 3°



THIRD ANGLE PROJECTION

CHEK 08Jan2016

APVD 08Jan2016

Abel

PRODUCT SPEC

WEIGHT

CUSTOMER DRAWING

东莞市宇亮电子有限公司  
 DONG GUAN YU LIANG ELECTRONICS CO.,LTD

NAME

Pitch3.0mm Female Housing TYPE(C)  
 Molex3.0单排母胶壳 无翅膀

SIZE

A4

DRAWING No.

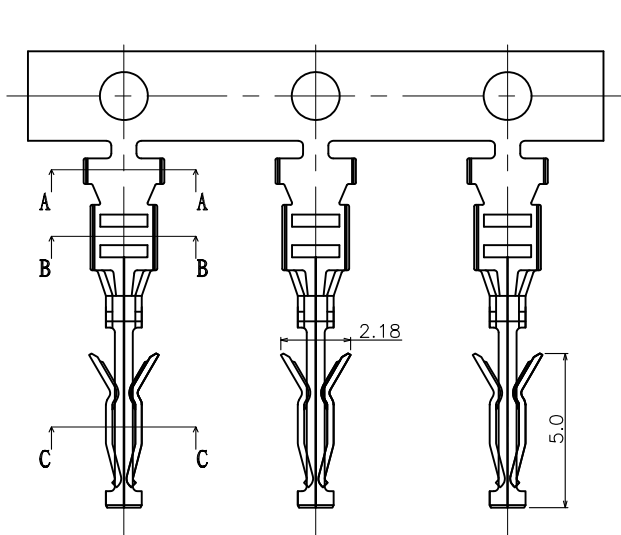
YL009-030

SCALE 1 : 1

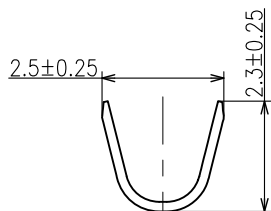
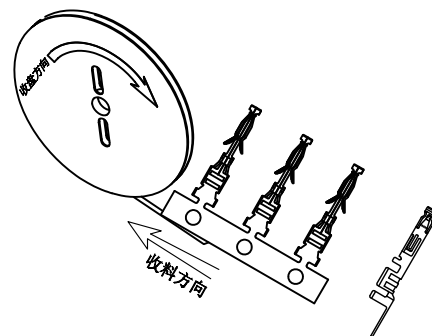
SHEET 1 of 1



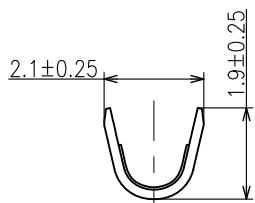
REVISIONS				
LTR	DESCRIPTION	DATE	DWN	APVD
A	RELEASED	2018\08\27	AW	WK



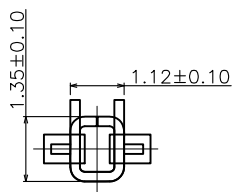
Current rating:5A AC, DC  
 Voltage rating:250V AC, DC  
 Temperature range:-40° C~+105° C  
 Contact resistance:10mΩ Max.  
 Insulation resistance:1000MΩ Min.  
 Withstanding voltage:1500V AC/minute



SEC:A-A



SEC:B-B



SEC:C-C

Material: Phosphor Bronze

Unit: mm

Part No	Wire Range	Insulation O.D.	Finish	Qty/reel
YL009-031-002	AWG#20-#24	1.85mm(max)	Tin over Nickel	10,000PCS
YL009-031-003	AWG#20-#24	1.85mm(max)	Gold over Nickel	10,000PCS

Note:E-Stamping before Tin-plated

THIS DRAWING IS A CONTROLLED DOCUMENT.		DWN	2018\08\27	东莞市宇亮电子有限公司 DONG GUAN YU LIANG ELECTRONICS CO., LTD	
DIMENSIONS: mm		CHEK	2018\08\27		
TOLERANCES UNLESS OTHERWISE SPECIFIED:		APVD	2018\08\27	NAME MX3.0 母端子	
0 PLC ± 0.50		PRODUCT SPEC	—	SIZE	DRAWING No.
1 PLC ± 0.30		WEIGHT	—	A4	Ⓒ=YL009-031
2 PLC ± 0.20		CUSTOMER DRAWING		SCALE	1 : 1
3 PLC ± 0.15				SHEET	2 of 2
4 PLC ± -					
ANGLES ± 3'					

5

4

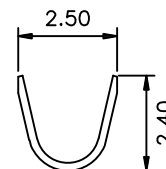
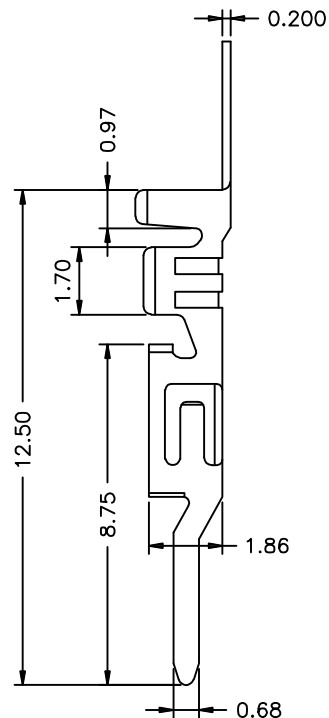
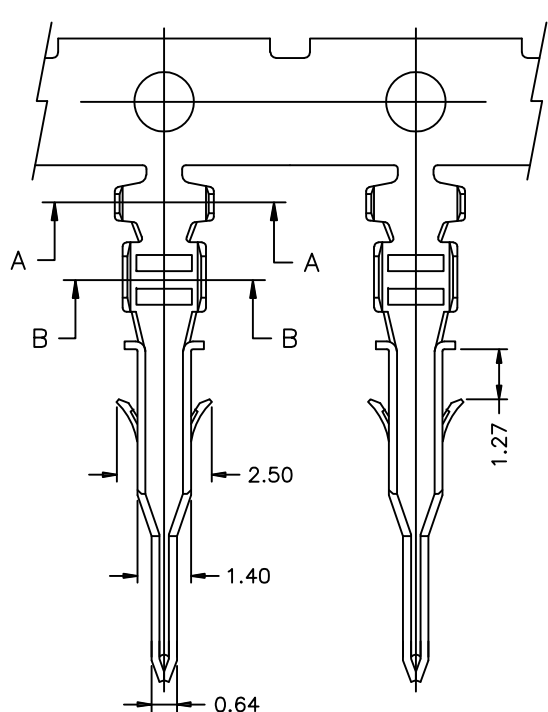
3

2

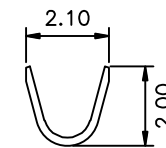
1



REVISIONS				
LTR	DESCRIPTION	DATE	DWN	APVD
A	RELEASED	01Jan16	AW	WK



SEC:A-A



SEC:B-B

Unit. mm

Wire Range	Insulation O.D.	Material	Finish	Qty/reel
AWG#20-#24	1.85mm(max)	Phosphor Bronze	Tin-plated	15,000pcs

YL009-036-C01
PART NUMBER

THIS DRAWING IS A CONTROLLED DOCUMENT.		DWN A. WU	01Jan2016	<b>东莞市宇亮电子有限公司</b> DONG GUAN YU LIANG ELECTRONICS CO., LTD	
DIMENSIONS: mm		CHEK S. CHIEN	01Jan2016		
 THIRD ANGLE PROJECTION		TOLERANCES UNLESS OTHERWISE SPECIFIED: 0 PLC ± 0.50 1 PLC ± 0.30 2 PLC ± 0.20 3 PLC ± 0.15 4 PLC ± ANGLES ± 3°		NAME MX3.0 公端子	
		APVD Abel	01Jan2016	SIZE A4	DRAWING No. YL009-036
		PRODUCT SPEC —		CUSTOMER DRAWING	SCALE 1 : 1
		WEIGHT —			SHEET 2 of 2