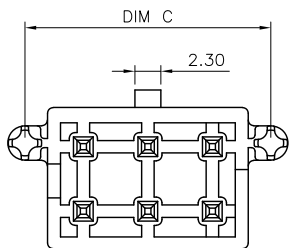
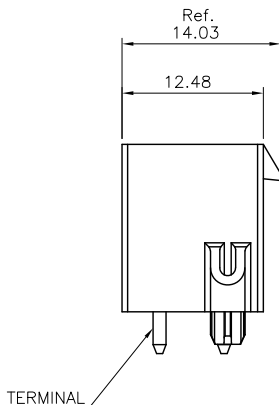
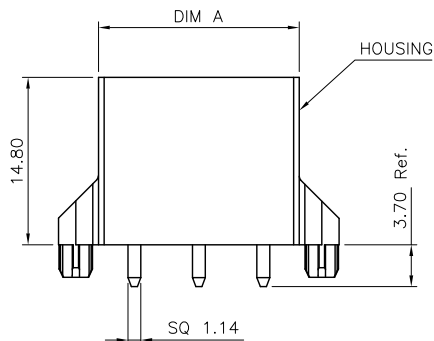


2X2 PIN

NOTE :

- 1. MATERIAL:  
HOUSING: LCP+30% GF, UL 94V-0, BLACK COLOR .  
TERMINAL: BRASS.
- 2. FINISH:  
TERMINAL: 3u" MIN. GOLD OVER 30u" MIN. NICKEL ON ENTIRE POST.
- 3. SPECIFICATION NOTES:  
CONTACT RESISTANCE: 30 mΩ MAX.  
CURRENT-Maximum PER CONTACT: 23A .  
VOLTAGE-Maximum: 600V .  
INSULATION RESISTANCE : 1000V MΩ MIN. .



PART NUMBER	PIN No.	DIM A	DIM B	DIM C	DIM D
MX570-201-XXX	2X1	8.35	15.39	12.34	
MX570-202-XXX	2X2	12.05	19.10	16.04	5.70
MX570-203-XXX	2X3	17.75	24.80	21.74	11.40
MX570-204-XXX	2X4	23.45	30.50	27.44	17.10
MX570-205-XXX	2X5	29.15	36.20	33.14	22.80
MX570-206-XXX	2X6	34.85	41.90	38.84	28.50

A	RELEASED	2016\05\20	AW	WK
LTR (版本)	DESCRIPTION (变更内容描述)	DATE (日期)	DWN (绘图)	APVD (核准)

REVISIONS (修订)

THIS DRAWING IS A CONTROLLED DOCUMENT.  
(此图为宇亮公司受控文件)

DIMENSIONS: (单位) mm

TOLERANCES UNLESS OTHERWISE SPECIFIED: (自由公差参照)

0 PLC ± 0.50  
1 PLC ± 0.30  
2 PLC ± 0.20  
3 PLC ± 0.15  
4 PLC ± -

ANGLES (角度公差) ± 3°

THIRD ANGLE PROJECTION (第三视角)

DWN (绘图) 2016\05\20 YL  
CHEK (审核) 2016\05\20 He  
APVD (核准) 2016\05\20 Abel

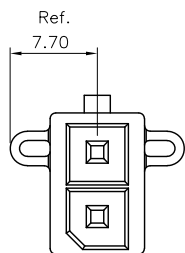
PRODUCT SPEC (产品规范) —  
WEIGHT (产品重量) —

**东莞市宇亮电子有限公司**  
DONG GUAN YU LIANG ELECTRONICS CO., LTD

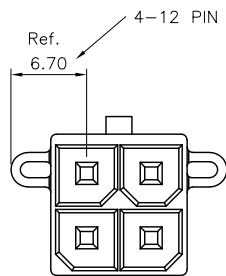
NAME (品名) 5.70MM PITCH, MEGA-FIT® VERTICAL 180° HEADER, 2-12 CIRCUITS.

SIZE (尺寸) A4 DRAWING No. (图号) YL-ED-XXXXX

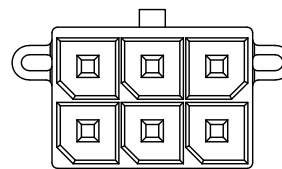
CUSTOMER DRAWING (业务图) SCALE (比例) 1 : 1 SHEET (页码) 1 of 2



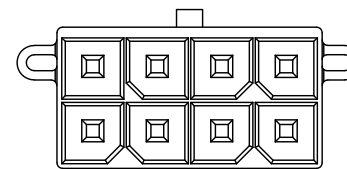
2X1 PIN



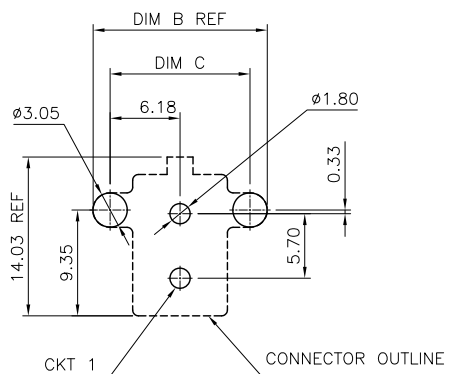
2X2 PIN



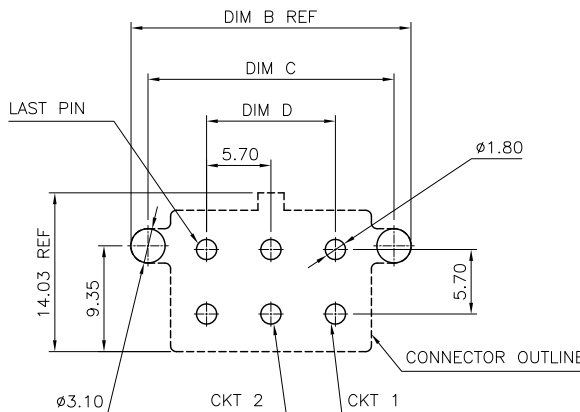
2X3 PIN



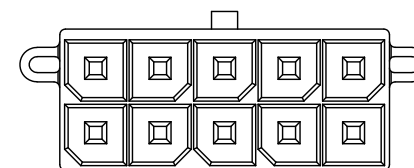
2X4 PIN



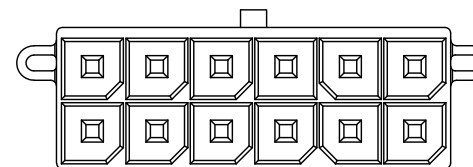
TOLERANCE: ±0.05, THICKNESS: 1.6mm  
RECOMMENDED PCB LAYOUT  
(TOP VIEW)



TOLERANCE: ±0.05, THICKNESS: 1.6mm  
RECOMMENDED PCB LAYOUT  
(TOP VIEW)



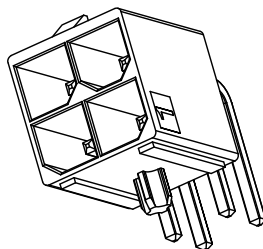
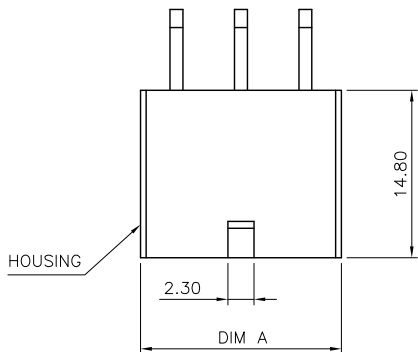
2X5 PIN



2X6 PIN

A	RELEASED	2016\05\20	AW	WK
LTR (版本)	DESCRIPTION (变更内容描述)	DATE (日期)	DWN (绘图)	APVD (核准)
REVISIONS (修订)				

THIS DRAWING IS A CONTROLLED DOCUMENT. (此图为宇亮公司受控文件)		DWN (绘图)	2016\05\20	<b>东莞市宇亮电子有限公司</b> DONG GUAN YU LIANG ELECTRONICS CO., LTD NAME (品名) 5.70MM PITCH, MEGA-FIT® VERTICAL 180° HEADER, 2-12 CIRCUITS. SIZE (尺寸) A4 DRAWING No. (图号) YL-ED-XXXXX
DIMENSIONS: (单位) mm		CHEK (审核)	2016\05\20	
TOLERANCES UNLESS OTHERWISE SPECIFIED: (自由公差参照)		APVD (核准)	2016\05\20	
THIRD ANGLE PROJECTION (第三视角)		PRODUCT SPEC (产品规范)	—	
0 PLC ± 0.50 1 PLC ± 0.30 2 PLC ± 0.20 3 PLC ± 0.15 4 PLC ± — ANGLES ± 3° (角度公差)		WEIGHT (产品重量)	—	CUSTOMER DRAWING (业务图)
		SCALE (比例)	1 : 1	SHEET (页码)
				2 of 2



2X2 PIN

NOTE :

1. MATERIAL:

HOUSING: LCP+30% GF, UL 94V-0, BLACK COLOR .

TERMINAL: BRASS.

2. FINISH:

TERMINAL: 3u" MIN. GOLD OVER 30u" MIN. NICKEL ON ENTIRE POST.

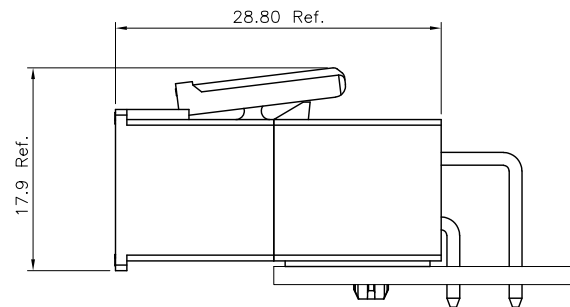
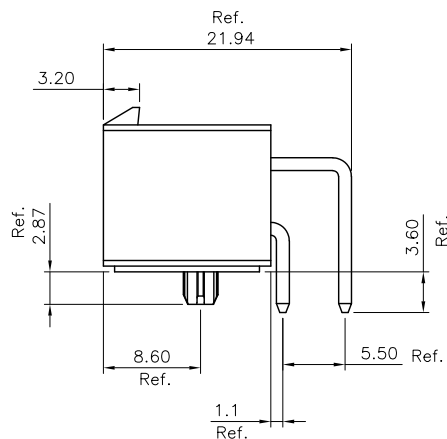
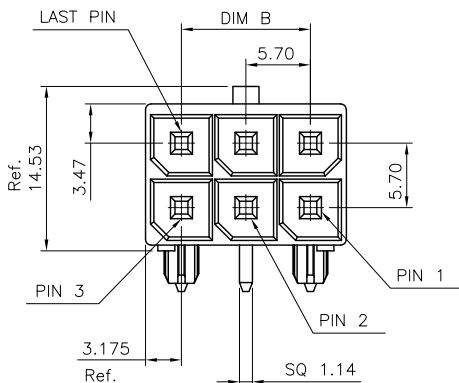
3. SPECIFICATION NOTES:

CONTACT RESISTANCE: 30 mΩ MAX.

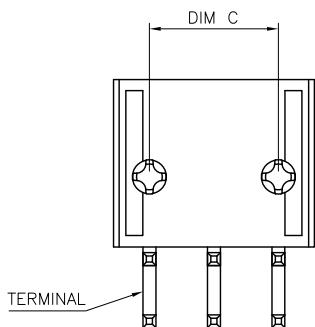
CURRENT-Maximum PER CONTACT: 23A .

VOLTAGE-Maximum: 600V .

INSULATION RESISTANCE : 1000V MΩ MIN. .



MATED DRAWING



PART NUMBER	PIN No.	DIM A	DIM B	DIM C
MX570-201-XXX	2X1	8.35		
MX570-202-XXX	2X2	12.05	5.70	
MX570-203-XXX	2X3	17.75	11.40	11.40
MX570-204-XXX	2X4	23.45	17.10	17.10
MX570-205-XXX	2X5	29.15	22.80	22.80
MX570-206-XXX	2X6	34.85	28.50	28.50

THIS DRAWING IS A CONTROLLED DOCUMENT.  
(此图为宇亮公司受控文件)

DIMENSIONS: (单位) mm

TOLERANCES UNLESS OTHERWISE SPECIFIED: (自由公差参照)

0 PLC	± 0.50
1 PLC	± 0.30
2 PLC	± 0.20
3 PLC	± 0.15
4 PLC	± -

ANGLES (角度公差) ± 3°

THIRD ANGLE PROJECTION (第三视角)

DWN (绘图) 2016\05\20  
YL

CHEK (审核) 2016\05\20  
He

APVD (核准) 2016\05\20  
Abel

PRODUCT SPEC (产品规范)

WEIGHT (产品重量)

东莞市宇亮电子有限公司  
DONG GUAN YU LIANG ELECTRONICS CO., LTD

NAME (品名)  
5.70MM PITCH, MEGA-FIT® VERTICAL  
90° HEADER, 2-12 CIRCUITS.

SIZE (尺寸) A4

DRAWING No. (图号)  
YL-ED-XXXXX

CUSTOMER DRAWING (业务图)

SCALE (比例) 1 : 1

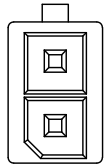
SHEET (页码) 1 of 2

A	RELEASED	2016\05\20	AW	WK
LTR (版本)	DESCRIPTION (变更内容描述)	DATE (日期)	DWN (绘图)	APVD (核准)

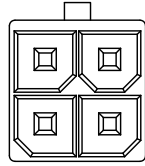
REVISIONS (修订)



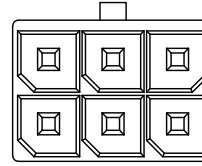
Ref.



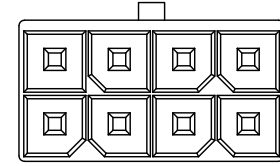
2X1 PIN



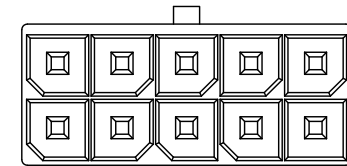
2X2 PIN



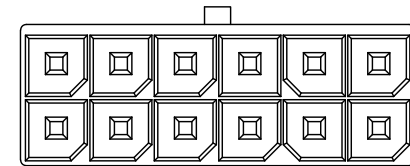
2X3 PIN



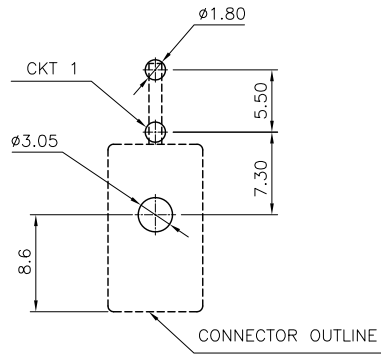
2X4 PIN



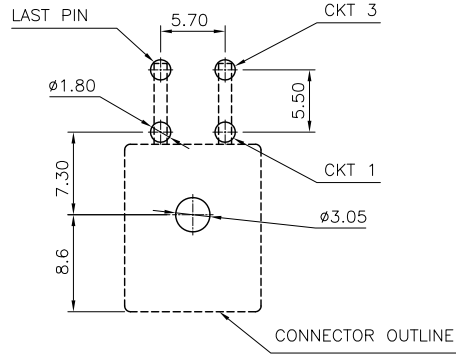
2X5 PIN



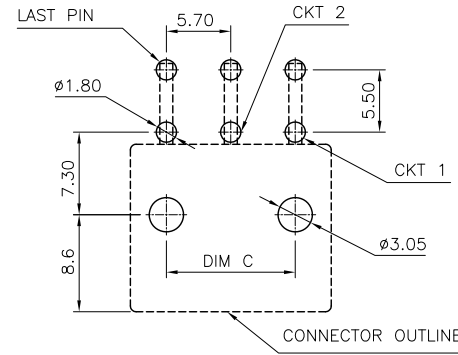
2X6 PIN



TOLERANCE: ±0.05, THICKNESS: 1.6mm  
RECOMMENDED PCB LAYOUT  
(TOP VIEW)



TOLERANCE: ±0.05, THICKNESS: 1.6mm  
RECOMMENDED PCB LAYOUT  
(TOP VIEW)

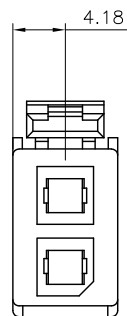


TOLERANCE: ±0.05, THICKNESS: 1.6mm  
RECOMMENDED PCB LAYOUT  
(TOP VIEW)

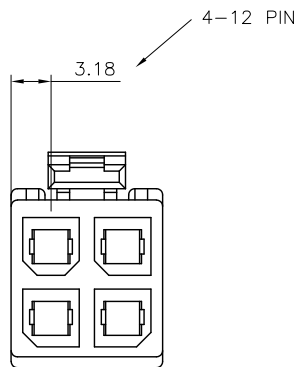
A	RELEASED	2016\05\20	AW	WK
LTR (版本)	DESCRIPTION (变更内容描述)	DATE (日期)	DWN (绘图)	APVD (核准)
REVISIONS (修订)				

THIS DRAWING IS A CONTROLLED DOCUMENT. (此图为宇亮公司受控文件)		DWN (绘图)	2016\05\20
DIMENSIONS: (单位) mm		CHEK (审核)	2016\05\20
TOLERANCES UNLESS OTHERWISE SPECIFIED: (自由公差参照)		APVD (核准)	2016\05\20
0 PLC ± 0.50		PRODUCT SPEC (产品规范)	—
1 PLC ± 0.30		WEIGHT (产品重量)	—
2 PLC ± 0.20		CUSTOMER DRAWING (业务图)	SCALE 1 : 1
3 PLC ± 0.15			SHEET 2 OF 2
4 PLC ± —			
ANGLES ± 3° (角度公差)			
THIRD ANGLE PROJECTION (第三视角)			

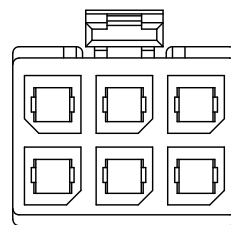
<b>东莞市宇亮电子有限公司</b> DONG GUAN YU LIANG ELECTRONICS CO., LTD	
NAME (品名) 5.70MM PITCH, MEGA-FIT? VERTICAL 90° HEADER, 2-12 CIRCUITS.	
SIZE (尺寸) A4	DRAWING No. (图号) YL-ED-XXXXX



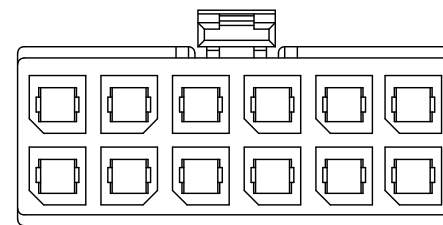
2X1 PIN



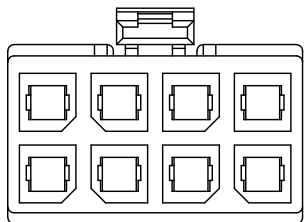
2X2 PIN



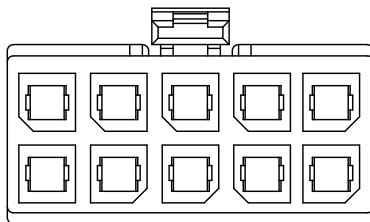
2X3 PIN



2X6 PIN



2X4 PIN



2X5 PIN

PART NUMBER	PIN No.	DIM A	DIM B
MX570-201-XXX	2X1	8.35	
MX570-202-XXX	2X2	12.05	5.70
MX570-203-XXX	2X3	17.75	11.40
MX570-204-XXX	2X4	23.45±0.4	17.10
MX570-205-XXX	2X5	29.15±0.4	22.80
MX570-206-XXX	2X6	34.85±0.4	28.50

A	RELEASED	2016\05\20	AW	WK
LTR (版本)	DESCRIPTION (变更内容描述)	DATE (日期)	DWN (绘图)	APVD (核准)
REVISIONS (修订)				

THIS DRAWING IS A CONTROLLED DOCUMENT.  
(此图为宇亮公司受控文件)

DIMENSIONS: (单位) mm

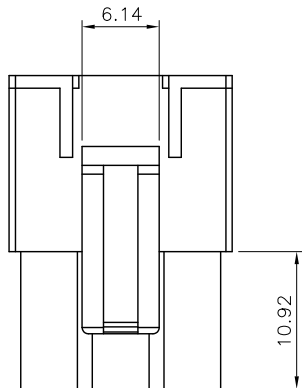
TOLERANCES UNLESS OTHERWISE SPECIFIED: (自由公差参照)

0 PLC ± 0.50  
1 PLC ± 0.30  
2 PLC ± 0.20  
3 PLC ± 0.15  
4 PLC ± -

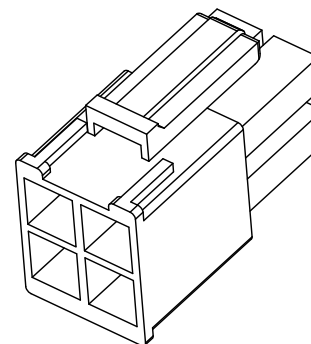
ANGLES (角度公差) ± 3°

THIRD ANGLE PROJECTION (第三视角)

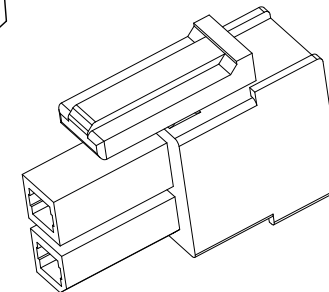
DWN (绘图)	2016\05\20	<b>东莞市宇亮电子有限公司</b> DONG GUAN YU LIANG ELECTRONICS CO., LTD NAME (品名) 5.70MM PITCH MEGA-FIT® RECEPTACLE HOUSING, DUAL ROW, 2-12 CIRCUIT.
CHEK (审核)	2016\05\20	
APVD (核准)	2016\05\20	
PRODUCT SPEC (产品规范)		
WEIGHT (产品重量)		SIZE (尺寸) A4 DRAWING No. (图号) YL-ED-XXXXX
CUSTOMER DRAWING (业务图)		SCALE (比例) 1 : 1 SHEET (张数) 1 of 1



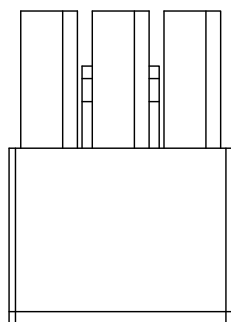
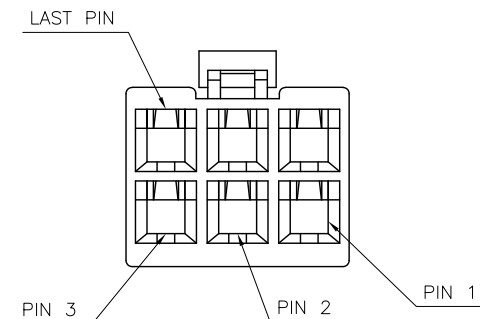
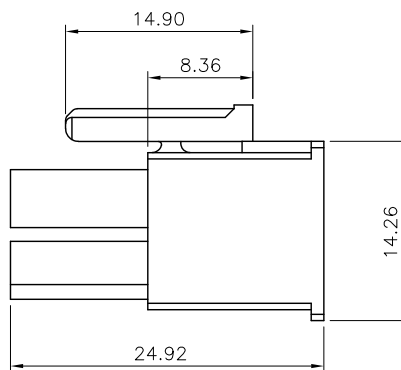
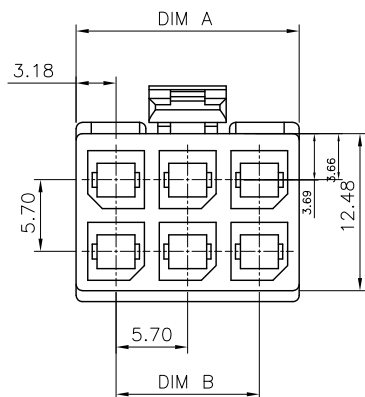
NOTE :  
 1. MATERIAL:  
 HOUSING: PA66 , UL 94V-0, BLACK COLOR .



2X2 PIN



2X1 PIN



PART NUMBER	PIN No.	DIM A	DIM B
MX570-201-XXX	2X1	8.35	
MX570-202-XXX	2X2	12.05	5.70
MX570-203-XXX	2X3	17.75	11.40
MX570-204-XXX	2X4	23.45±0.4	17.10
MX570-205-XXX	2X5	29.15±0.4	22.80
MX570-206-XXX	2X6	34.85±0.4	28.50

A	RELEASED	2016\05\20	AW	WK
LTR (版本)	DESCRIPTION (变更内容描述)	DATE (日期)	DWN (绘图)	APVD (核准)
REVISIONS (修订)				

THIS DRAWING IS A CONTROLLED DOCUMENT.  
(此图为宇亮公司受控文件)

DIMENSIONS: (单位) mm

TOLERANCES UNLESS OTHERWISE SPECIFIED: (自由公差参照)

0 PLC ± 0.50  
 1 PLC ± 0.30  
 2 PLC ± 0.20  
 3 PLC ± 0.15  
 4 PLC ± -

ANGLES (角度公差) ± 3'

THIRD ANGLE PROJECTION (第三视角)

DWN (绘图) 2016\05\20  
 YL

CHEK (审核) 2016\05\20  
 He

APVD (核准) 2016\05\20  
 Abel

PRODUCT SPEC (产品规范)  
 -

WEIGHT (产品重量)  
 -

**东莞市宇亮电子有限公司**  
 DONG GUAN YU LIANG ELECTRONICS CO., LTD

NAME (品名)  
 5.70MM PITCH MEGA-FIT® RECEPTACLE HOUSING, DUAL ROW, 2-12 CIRCUIT.

SIZE (尺寸) A4  
 DRAWING No. (图号)  
 YL-ED-XXXXX

CUSTOMER DRAWING (业务图)

SCALE (比例) 1 : 1  
 SHEET (页码) 1 OF 1



REVISIONS				
LTR	DESCRIPTION	DATE	DWN	APVD
A	RELEASED	18Mar16	AW	WK

NOTE :

1. MATERIAL:

TERMINAL: PHOSPHOR BRONZE .

2. FINISH:

TERMINAL: GOLD FLASH PLATED ON CONTACT AREA, 100u" MIN.  
TIN ON SOLDER TAIL, WITH ENTIRE CONTACT UNDERPLATED  
30u" MIN. NICKEL.

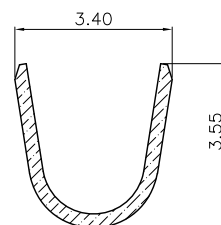
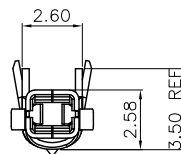
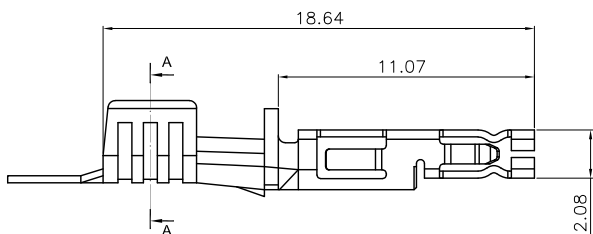
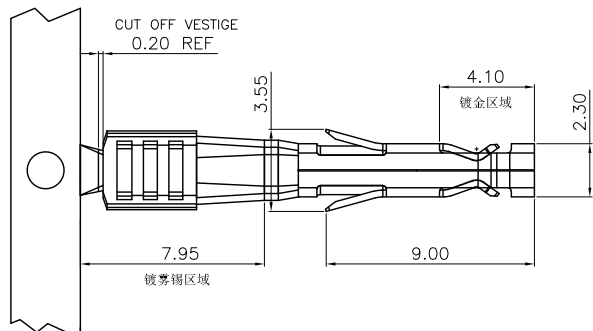
2. SPECIFICATION NOTES:

CONTACT RESISTANCE: 30 milliohms MAX.

CURRENT RATING: 23A .

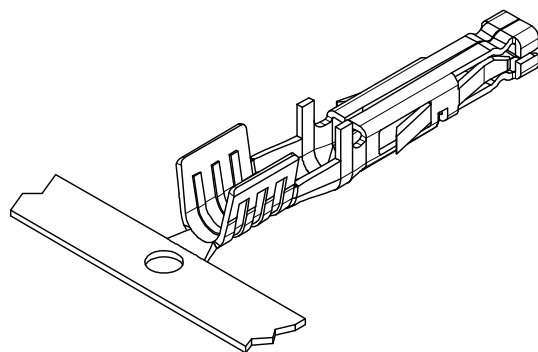
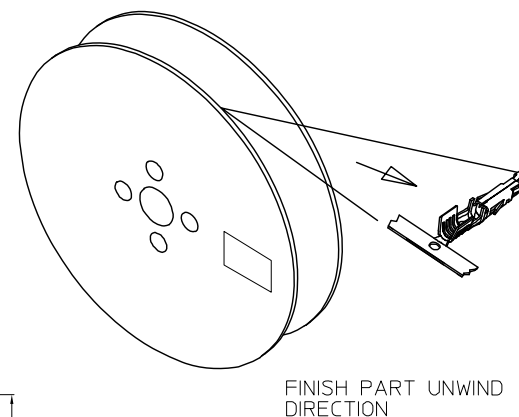
VOLTAGE RATING: 600V .

DIELECTRIC WITHSTANDING VOLTAGE: 2000V AC .



SECTION A-A  
SCALE 2:1

CONDUCTOR CRIMP 14/16 AWG



电镀半金锡 3u"	MX570-148-002
未电镀素材	MX570-148-001
规格	料号

THIS DRAWING IS A CONTROLLED DOCUMENT.		DWN A. WU 18Mar2016	东莞市宇亮电子有限公司 DONG GUAN YU LIANG ELECTRONICS CO., LTD	
DIMENSIONS: mm		CHEK S. CHIEN 18Mar2016		
TOLERANCES UNLESS OTHERWISE SPECIFIED:		APVD Abel 18Mar2016	MEGA-FIT® FEMALE CRIMP TERMINAL, 14 AND 16 AWG .	
0 PLC ± 0.50 1 PLC ± 0.30 2 PLC ± 0.20 3 PLC ± 0.15 4 PLC ± -		PRODUCT SPEC -		
THIRD ANGLE PROJECTION		WEIGHT 0.322 g	SIZE A4	DRAWING No. YL-ED-00813
CUSTOMER DRAWING			SCALE 1 : 1	SHEET 1 of 1