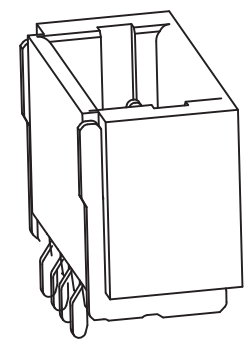
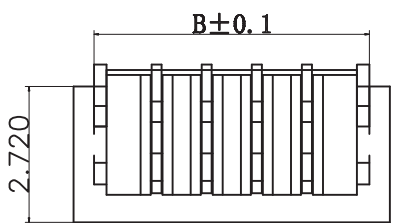
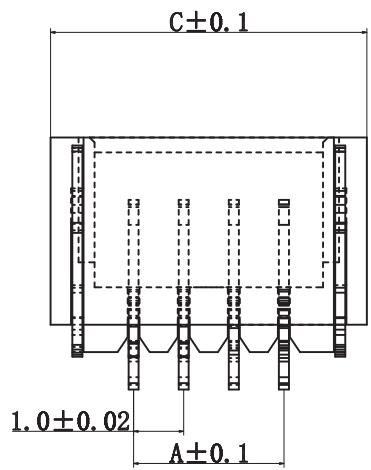
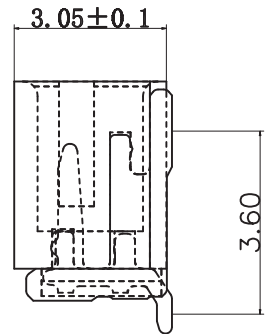


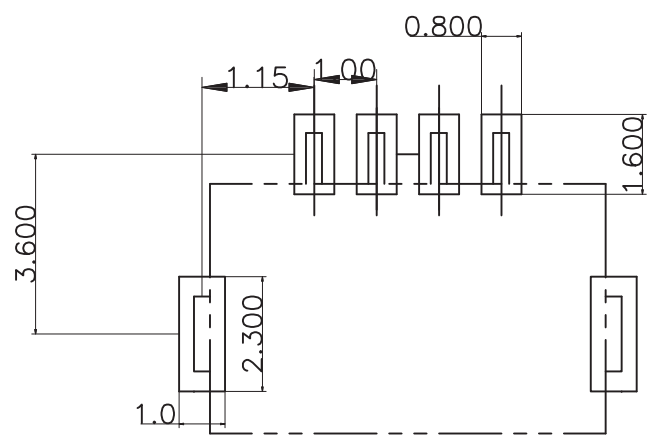


REVISIONS				
LTR	DESCRIPTION	DATE	DWN	APVD
A	RELEASED	06May2019	AW	WK

- SPECIFICATIONS**
- 1、Current Rating: 1A AC, DC
  - 2、Voltage Rating: 50V AC, DC
  - 3、Temperatuer Range: -25°C~+85°C
  - 4、Contact Resistance: 20mΩ Max
  - 5、Insulation Resistance: 100mΩ Min
  - 6、Withstanding Voltang: 500V AC/minute
  - 7、Material: Wafer LCP, UL94V-0  
PIN Phosphoric copper Tin-plated  
Solder tads Phosphoric copper Tin-plated



1.0卧式贴片	A-(mm)	B-(mm)	C-(mm)
1.0WT-2P	1.00mm	3.50mm	4.30mm
1.0WT-3P	2.00mm	4.50mm	5.30mm
1.0WT-4P	3.00mm	5.50mm	6.30mm
1.0WT-5P	4.00mm	6.50mm	7.30mm
1.0WT-6P	5.00mm	7.50mm	8.30mm
1.0WT-7P	6.00mm	8.50mm	9.30mm
1.0WT-8P	7.00mm	9.50mm	10.30mm
1.0WT-9P	8.00mm	10.50mm	11.30mm
1.0WT-10P	9.00mm	11.50mm	12.30mm
1.0WT-11P	10.00mm	12.50mm	13.30mm
1.0WT-12P	11.00mm	13.50mm	14.30mm
1.0WT-13P	12.00mm	14.50mm	15.30mm
1.0WT-14P	13.00mm	15.50mm	16.30mm
1.0WT-15P	14.00mm	16.50mm	17.30mm
1.0WT-16P	15.00mm	17.50mm	18.30mm
1.0WT-17P	16.00mm	18.50mm	19.30mm
1.0WT-18P	17.00mm	19.50mm	20.30mm
1.0WT-19P	18.00mm	20.50mm	21.30mm
1.0WT-20P	19.00mm	21.50mm	22.30mm



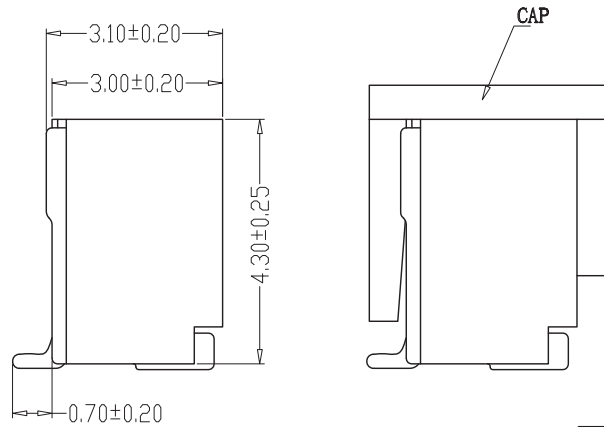
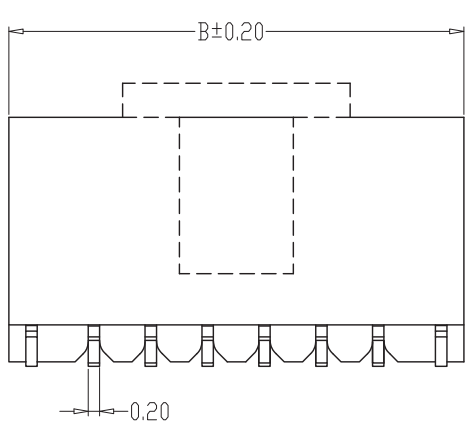
PART NO.  
YL028-078-F XX  
02:2P  
03:3P  
20:20P

YL028-078-FXX  
PART NUMBER

THIS DRAWING IS A CONTROLLED DOCUMENT.		DWN	06May2019	<b>东莞市宇亮电子有限公司</b> DONG GUAN YU LIANG ELECTRONICS CO., LTD NAME 1.0MM PITCH WAFER贴片带焊片 TYPE LCP SIZE A4 DRAWING No. ©=YL028-078	
DIMENSIONS: mm		CHEK	06May2019		
TOLERANCES UNLESS OTHERWISE SPECIFIED:		APVD	06May2019		
0 PLC ± 0.50 1 PLC ± 0.30 2 PLC ± 0.20 3 PLC ± 0.15 4 PLC ± - ANGLES ± 3°		PRODUCT SPEC	-		
THIRD ANGLE PROJECTION		WEIGHT	-	CUSTOMER DRAWING	SCALE 1 : 1
		SHEET 4 OF 4			

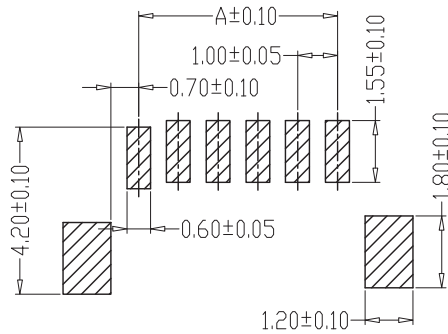
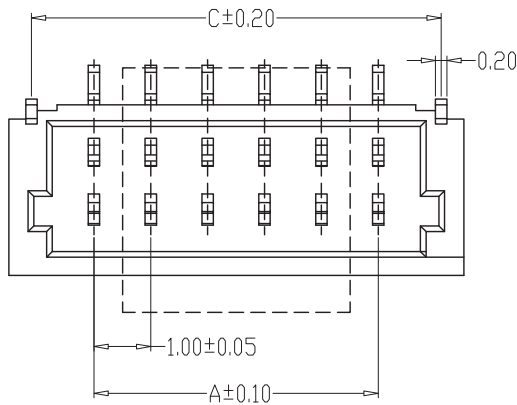


REVISIONS				
LTR	DESCRIPTION	DATE	DWN	APVD
A	RELEASED	2018\10\27	AW	WK



**SPECIFICATIONS**

- 1、Current Rating: 1A AC, DC
- 2、Voltage Rating: 50V AC, DC
- 3、Temperatuer Range: -25°C ~ +85°C
- 4、Contact Resistance: 20mΩ Max
- 5、Insulation Resistance: 100MΩ Min
- 6、Withstanding Voltang: 500V AC/minute
- 7、Material: Wafer LCP, UL94V-0  
PIN Phosphoric bronze Tin-plated  
Solder tad Phosphoric bronze Tin-plated



PART NO:  
YL028-077-CXX  
02:2P  
03:3P  
.....  
20:20P

	尺寸 (mm)		
	A	B	C
02	1.00	4.00	3.20
03	2.00	5.00	4.20
04	3.00	6.00	5.20
05	4.00	7.00	6.20
06	5.00	8.00	7.20
07	6.00	9.00	8.20
08	7.00	10.00	9.20
09	8.00	11.00	10.20
10	9.00	12.00	11.20
11	10.00	13.00	12.20
12	11.00	14.00	13.20
20	19.00	22.00	21.20

**PCB LAYOUT**

YL028-077-CXX  
PART NUMBER

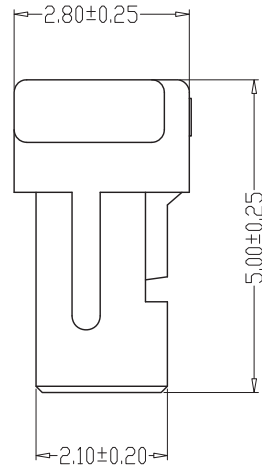
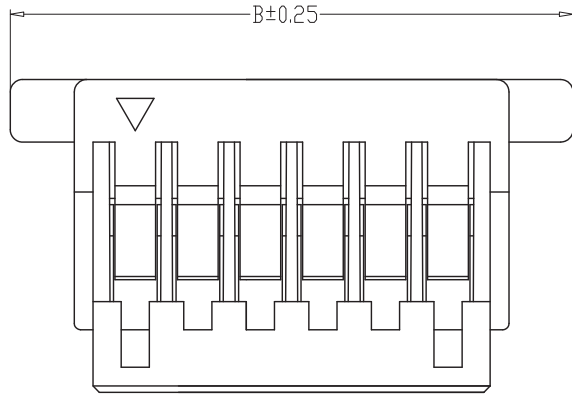
THIS DRAWING IS A CONTROLLED DOCUMENT.		DWN A. WU 2018\10\27	<b>东莞市宇亮电子有限公司</b> DONG GUAN YU LIANG ELECTRONICS CO., LTD 1.0WAFER 立贴 带焊片 Sn LCP 米白色
DIMENSIONS: mm	TOLERANCES UNLESS OTHERWISE SPECIFIED:	CHEK S. CHIEN 2018\10\27	
 THIRD ANGLE PROJECTION	0 PLC ± 0.50 1 PLC ± 0.30 2 PLC ± 0.20 3 PLC ± 0.15 4 PLC ± - ANGLES ± 3°	APVD Abel 2018\10\27 PRODUCT SPEC - WEIGHT -	
		SIZE A4 DRAWING No. ©=YL028-077	
		CUSTOMER DRAWING	SCALE 1 : 1 SHEET 3 of 4



REVISIONS				
LTR	DESCRIPTION	DATE	DWN	APVD
A	RELEASED	2018\10\27	AW	WK

**SPECIFICATIONS**

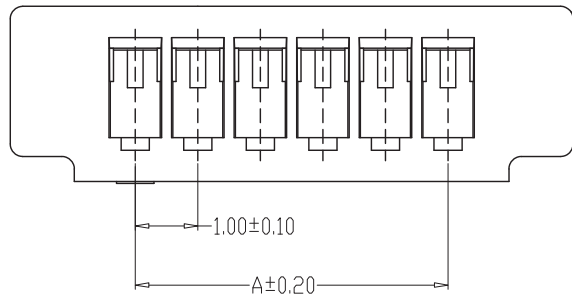
- 1、Current Rating: 1A AC, DC
- 2、Voltage Rating: 50V AC, DC
- 3、Temperatuer Range: -25℃~+85℃
- 4、Contact Resistance: 20mΩ Max
- 5、Insulation Resistance: 100MΩ Min
- 6、Withstanding Voltang: 500V AC/minute
- 7、Material:PBT,UL94V-0



PART NO.  
YL028-099-XXX

002:2P  
002:2P  
....  
020:20P

PIN	尺寸 (mm)	
	A	B
02Y	1.00	5.00
03Y	2.00	6.00
04Y	3.00	7.00
05Y	4.00	8.00
06Y	5.00	9.00
07Y	6.00	10.00
08Y	7.00	11.00
09Y	8.00	12.00
10Y	9.00	13.00
11Y	10.00	14.00
12Y	11.00	15.00
20Y	19.00	23.00



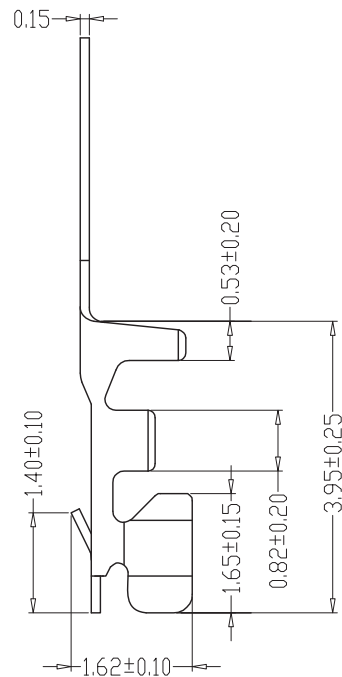
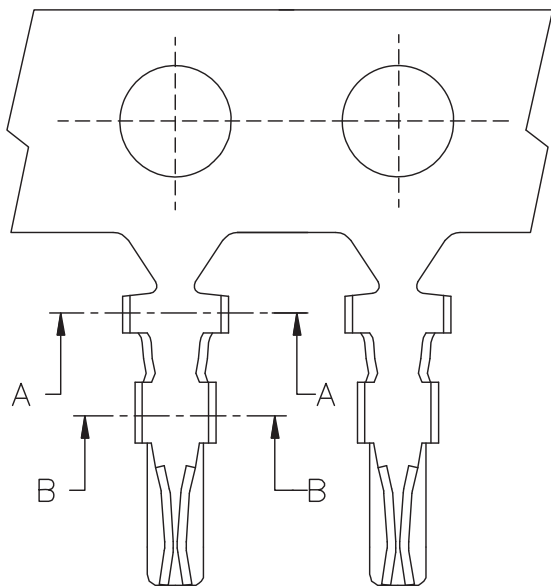
YL028-099-XXX  
PART NUMBER

THIS DRAWING IS A CONTROLLED DOCUMENT.		DWN A. WU 2018\10\27	东莞市宇亮电子有限公司 DONG GUAN YU LIANG ELECTRONICS CO., LTD	
DIMENSIONS: mm	TOLERANCES UNLESS OTHERWISE SPECIFIED:	CHEK S. CHIEN 2018\10\27		
 THIRD ANGLE PROJECTION	0 PLC ± 0.50 1 PLC ± 0.30 2 PLC ± 0.20 3 PLC ± 0.15 4 PLC ± - ANGLES ± 3°	APVD Abel 2018\10\27	1.0MM PITCH HOUSING TYPE	
		PRODUCT SPEC —	SIZE A4	DRAWING No. C=YL028-099
		WEIGHT —	CUSTOMER DRAWING	
			SCALE 1 : 1	SHEET 2 of 2

科技 . 链接 . 未来

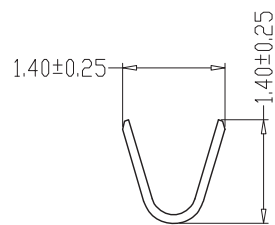


REVISIONS				
LTR	DESCRIPTION	DATE	DWN	APVD
A	RELEASED	2018\10\27	AW	WK

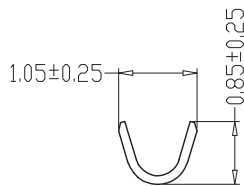


**SPECIFICATIONS**

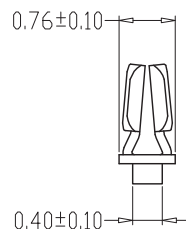
- 1、Current Rating: 1A AC, DC
- 2、Voltage Rating: 50V AC, DC
- 3、Temperatuer Range: -25℃~+85℃
- 4、Contact Resistance: 20mΩ Max
- 5、Insulation Resistance: 100MΩ Min
- 6、Withstanding Voltang: 500V AC/minute
- 7、Material:Phosphoric bronze Tin-plated
- 8、Applicable Wire Sizes:AWG#28~32#



**SEC:A-A**



**SEC:B-B**



YL028-100-001  
PART NUMBER

THIS DRAWING IS A CONTROLLED DOCUMENT.		DWN A. WU	2018\10\27	<b>东莞市宇亮电子有限公司</b> DONG GUAN YU LIANG ELECTRONICS CO., LTD	
DIMENSIONS: mm		CHEK S. CHIEN	2018\10\27		
TOLERANCES UNLESS OTHERWISE SPECIFIED:		APVD Abel	2018\10\27	NAME 1.0MM PITCH HOUSING TYPE	
 THIRD ANGLE PROJECTION		PRODUCT SPEC —	—	SIZE A4	DRAWING No. C=YL028-100
0 PLC ± 0.50 1 PLC ± 0.30 2 PLC ± 0.20 3 PLC ± 0.15 4 PLC ± — ANGLES ± 3°		WEIGHT —	—	CUSTOMER DRAWING	
			SCALE 1 : 1	SHEET 2 of 2	