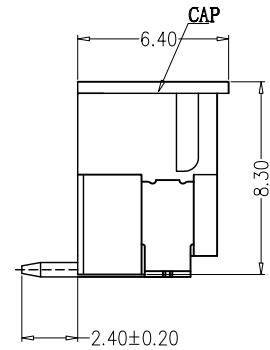
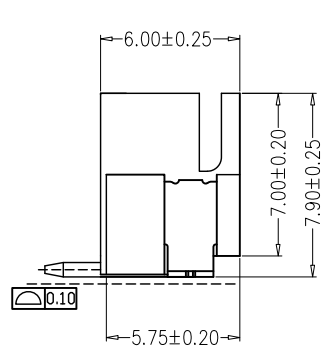
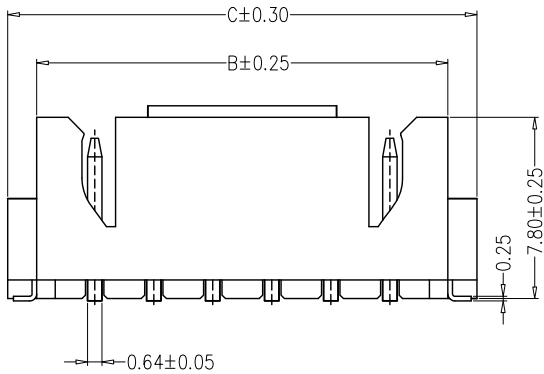




REVISIONS				
LTR	DESCRIPTION	DATE	DWN	APVD
A	RELEASED	22Jul2017	Y.L	

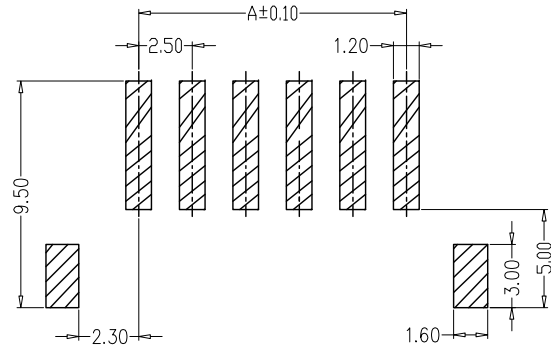
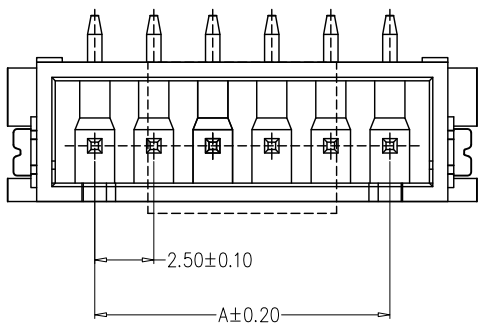


SPECIFICATIONS

- 1、Current Rating: 3A AC, DC
- 2、Voltage Rating: 250V AC, DC
- 3、Temperatuer Range: -25℃~+85℃
- 4、Contact Resistance: 20mΩ Max
- 5、Insulation Resistance: 1000MΩ Min
- 6、Withstanding Voltang: 1000V AC/minute
- 7、Material: Wafer LCP、PA6T, UL94V-0
PIN Brass Tin-plated
Solder tad Phosphoric bronze Tin-plated

PART NO:
YL028-074-XXX

0:LCP
A:PA6T
02:2P
03:3P
.....



PCB LAYOUT

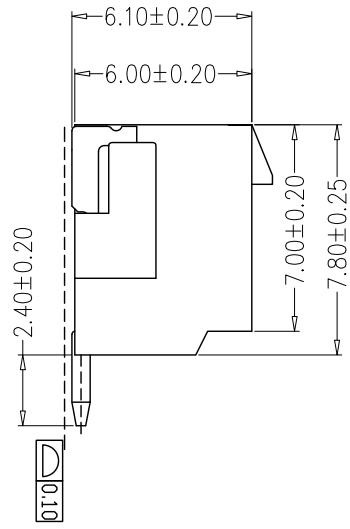
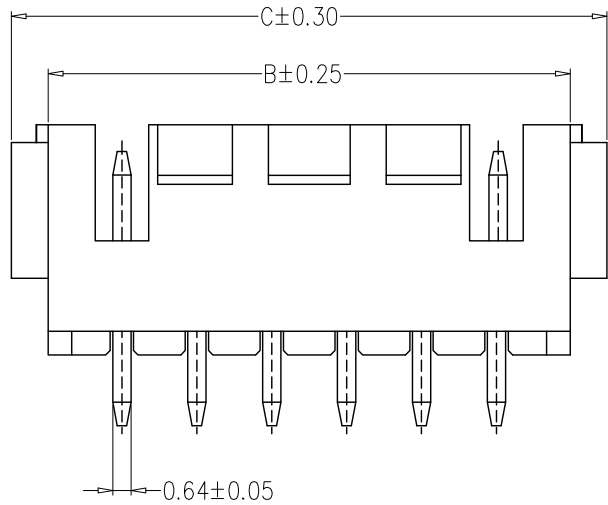
PIN位	A	B	C
02P	2.50	7.50	10.00
03P	5.00	10.00	12.50
04P	7.50	12.50	15.00
05P	10.00	15.00	17.50
06P	12.50	17.50	20.00
07P	15.00	20.00	22.50
08P	17.50	22.50	25.00
09P	20.00	25.00	27.50
10P	22.50	27.50	30.00
11P	25.00	30.00	32.50
12P	27.50	32.50	35.00
20P	47.50	52.50	55.00

YL028-074-XXX
PART NUMBER

THIS DRAWING IS A CONTROLLED DOCUMENT.		DWN Y.L	22Jul2017	东莞市宇亮电子有限公司 DONG GUAN YU LIANG ELECTRONICS CO., LTD	
DIMENSIONS: mm		CHEK	22Jul2017		
TOLERANCES UNLESS OTHERWISE SPECIFIED:		APVD	22Jul2017	NAME 2.5WAFER 立贴 带焊片 Sn	
 THIRD ANGLE PROJECTION		PRODUCT SPEC	—	SIZE A4	DRAWING No. C=YL028-074
0 PLC ± 0.50 1 PLC ± 0.30 2 PLC ± 0.20 3 PLC ± 0.15 4 PLC ± — ANGLES ± 3°		WEIGHT	—	CUSTOMER DRAWING	
		SCALE 1 : 1		SHEET 1 of 3	



REVISIONS				
LTR	DESCRIPTION	DATE	DWN	APVD
A	RELEASED	01Aug2017	Y.L	

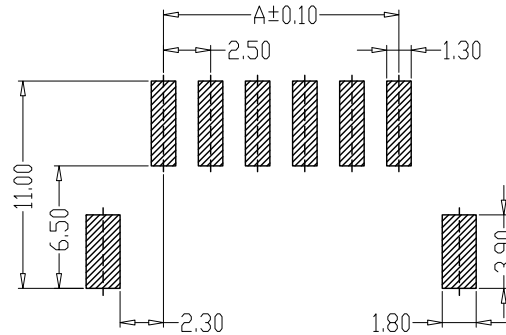
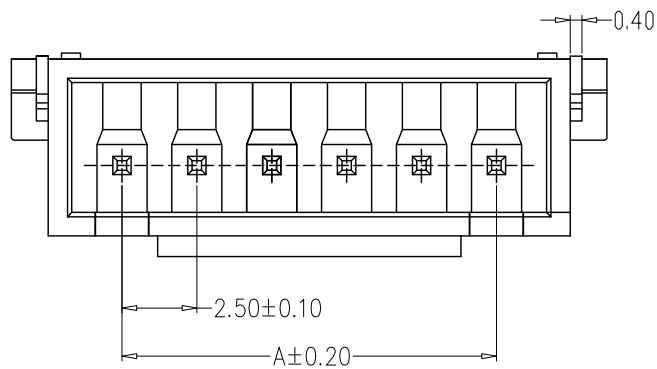


SPECIFICATIONS

- 1、Current Rating: 3A AC, DC
- 2、Voltage Rating: 250V AC, DC
- 3、Temperatuer Range: -25℃~+85℃
- 4、Contact Resistance: 20mΩ Max
- 5、Insulation Resistance: 1000MΩ Min
- 6、Withstanding Voltang: 1000V AC/minute
- 7、Material:Wafer PA6T,UL94V-0
PIN Brass Tin-plated
Solder tad Brass Tin-plated

PART NO:
YL028-075-XXX

002:2P
003:3P
.....
020:20P

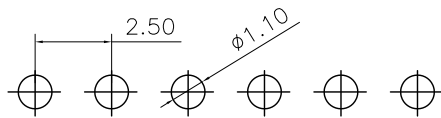
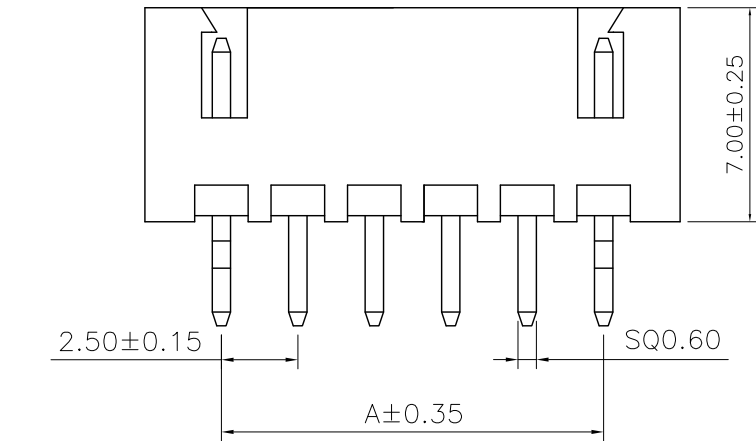
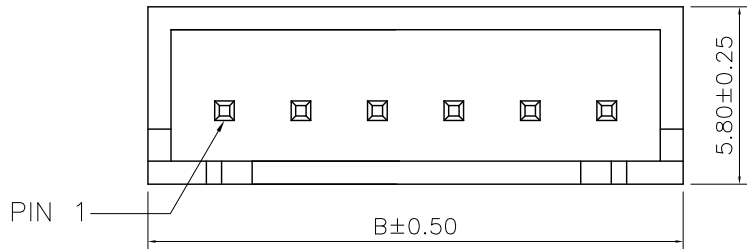


Pin No.	A	B	C
2P	2.50	7.50	10.00
3P	5.00	10.00	12.50
4P	7.50	12.50	15.00
5P	10.00	15.00	17.50
6P	12.50	17.50	20.00
7P	15.00	20.00	22.50
8P	17.50	22.50	25.00
9P	20.00	25.00	27.50
10P	22.50	27.50	30.00
11P	25.00	30.00	32.50
12P	27.50	32.50	35.00
20P	47.50	52.50	55.00

PCB LAYOUT

YL028-075-XXX
PART NUMBER

THIS DRAWING IS A CONTROLLED DOCUMENT.		DWN Y.L	01Aug2017	东莞市宇亮电子有限公司 DONG GUAN YU LIANG ELECTRONICS CO., LTD	
DIMENSIONS: mm		CHEK	01Aug2017		
TOLERANCES UNLESS OTHERWISE SPECIFIED:		APVD	01Aug2017	NAME 2.5WAFER 卧贴 Sn 带焊片 带锁扣 PA6T 本色	
 THIRD ANGLE PROJECTION		PRODUCT SPEC	—	SIZE A4	DRAWING No. Y=YL028-075
		WEIGHT	—	CUSTOMER DRAWING	
0 PLC ± 0.50 1 PLC ± 0.30 2 PLC ± 0.20 3 PLC ± 0.15 4 PLC ± - ANGLES ± 3°		SCALE 1 : 1		SHEET 1 of 1	



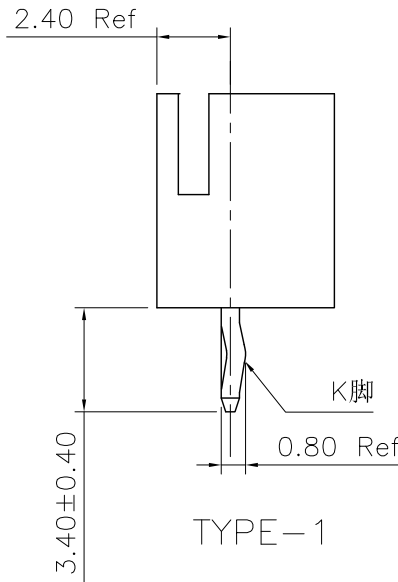
Recommended PCB layout

PART NO.

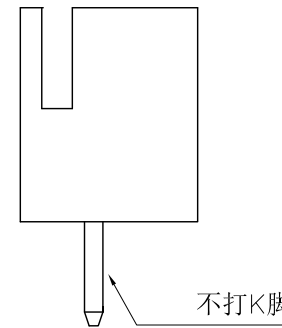
YL028-054-X XX

- O: 两端打K/白色PA66
- A: 不打K/白色PA66
- B: 空2,3P,不打K/白色PA66
- C: 两端打K/米黄色PA46
- D: 不打K/米黄色PA46

02:2P
03:3P
...
20:20P



TYPE-1



TYPE-2

REVISIONS

LTR	DESCRIPTION	DATE	DWN	APVD
A	RELEASED	2017\10\06	AW	WK
A1	重新整理	2017\12\06		

NOTE :

1. MATERIAL:

HOUSING: PA66/PA46, UL94V-0,
TERMINAL: BRASS.

2. FINISH:

TERMINAL: Tin plated

3. SPECIFICATION NOTES:

CONTACT RESISTANCE: 30 milliohms MAX.

CURRENT RATING: 3A .

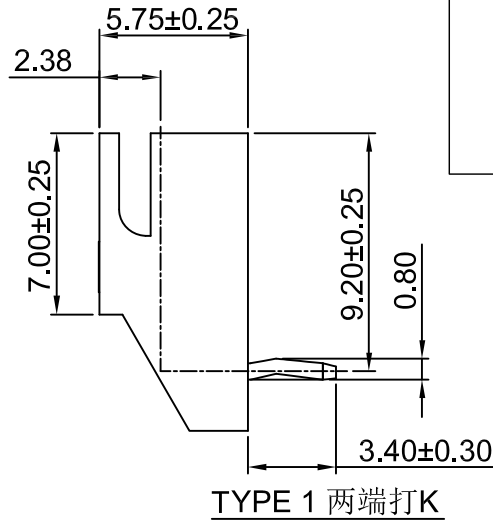
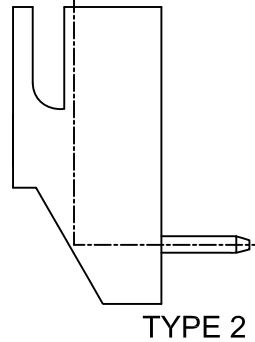
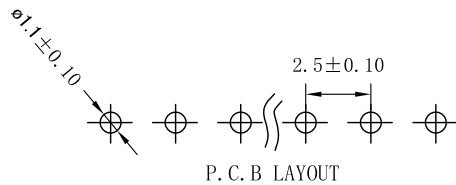
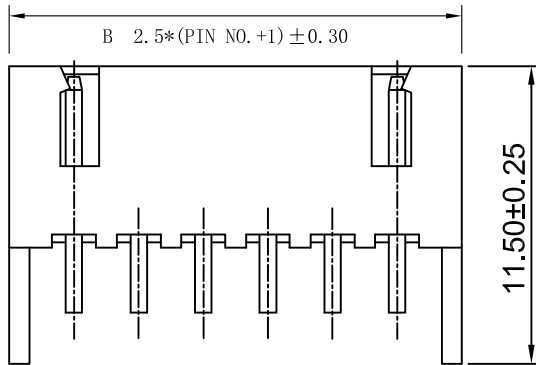
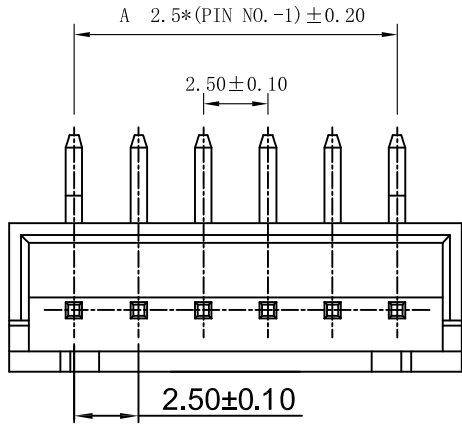
DIELECTRIC WITHSTANDING VOLTAGE: 1000V.

PIN No.	DIM A	DIM B
2P	2.50	7.50
3P	5.00	10.00
4P	7.50	12.50
5P	10.00	15.00
6P	12.50	17.50
7P	15.00	20.00
8P	17.50	22.50
9P	20.00	25.00
10P	22.50	27.50
11P	25.00	30.00
12P	27.50	32.50
13P	30.00	35.00
14P	32.50	37.50
15P	35.00	40.00
16P	37.50	42.50
17P	40.00	45.00
18P	42.50	47.50
19P	45.00	50.00
20P	47.50	52.50

YL028-054-XXX

PART NUMBER

THIS DRAWING IS A CONTROLLED DOCUMENT.		DWN A. WU 27Jan2017	东莞市宇亮电子有限公司 DONG GUAN YU LIANG ELECTRONICS CO., LTD		
DIMENSIONS: mm	TOLERANCES UNLESS OTHERWISE SPECIFIED:	CHEK S. CHIEN 27Jan2017			NAME
 THIRD ANGLE PROJECTION	0 PLC ± 0.50 1 PLC ± 0.30 2 PLC ± 0.20 3 PLC ± 0.15 4 PLC ± - ANGLES ± 3°	APVD Abel 27Jan2017	XH2.5 WAFER 180° TYPE		
		PRODUCT SPEC	SIZE A4	DRAWING No. YL028-054	
		WEIGHT	CUSTOMER DRAWING		
			SCALE 1 : 1	SHEET 1 OF 1	



REVISIONS				
LTR	DESCRIPTION	DATE	DWN	APVD
A	RELEASED	25Jan16	AW	WK

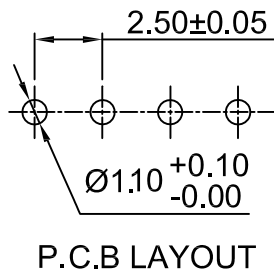
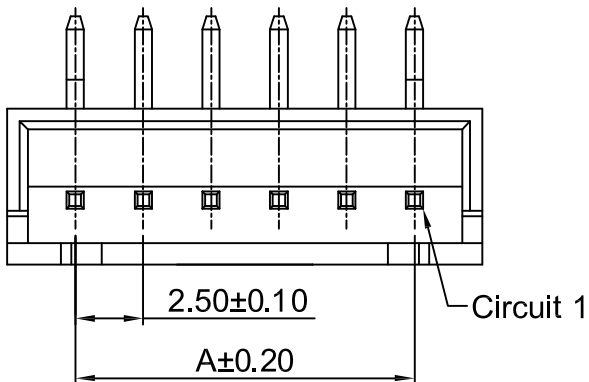
NOTE :

- MATERIAL:
HOUSING: PA66, UL94V-0,
TERMINAL: BRASS.
- FINISH:
TERMINAL: Tin plated
- SPECIFICATION NOTES:
CONTACT RESISTANCE: 30 milliohms MAX.
CURRENT RATING: 1A .
DIELECTRIC WITHSTANDING VOLTAGE: 1000V.

PART NO.
YL028-055-X XX
0:TYPE 1 002:2P
A:TYPE 2 003:3P
.....

PIN No.	DIM A	DIM B
2P	2.50	7.50
3P	5.00	10.00
4P	7.50	12.50
5P	10.00	15.00
6P	12.50	17.50
7P	15.00	20.00
8P	17.50	22.50
9P	20.00	25.00
10P	22.50	27.50
11P	25.00	30.00
12P	27.50	32.50
13P	30.00	35.00
14P	32.50	37.50
15P	35.00	40.00
16P	37.50	42.50
17P	40.00	45.00
18P	42.50	47.50
19P	45.00	50.00
20P	47.50	52.50

THIS DRAWING IS A CONTROLLED DOCUMENT.		DWN A. WU 25Jan2016	东莞市宇亮电子有限公司 DONG GUAN YU LIANG ELECTRONICS CO.,LTD	
DIMENSIONS: mm		CHEK S. CHIEN 25Jan2016		
TOLERANCES UNLESS OTHERWISE SPECIFIED:		APVD Abel 25Jan2016	NAME 2.5WAFER R/A TYPE Sn PA66 白色	
THIRD ANGLE PROJECTION		PRODUCT SPEC — WEIGHT —	SIZE A4	DRAWING No. YL028-055
		ANGLES ± 3°	CUSTOMER DRAWING	
			SCALE 1 : 1	SHEET 1 of 1



PIN No.	DIM A	DIM B
2P	2.50	7.50
3P	5.00	10.00
4P	7.50	12.50
5P	10.00	15.00
6P	12.50	17.50
7P	15.00	20.00
8P	17.50	22.50
9P	20.00	25.00
10P	22.50	27.50
11P	25.00	30.00
12P	27.50	32.50
13P	30.00	35.00
14P	32.50	37.50
15P	35.00	40.00
16P	37.50	42.50
17P	40.00	45.00
18P	42.50	47.50
19P	45.00	50.00
20P	47.50	52.50

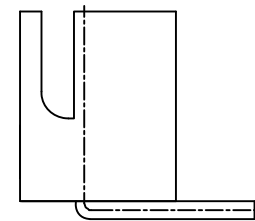
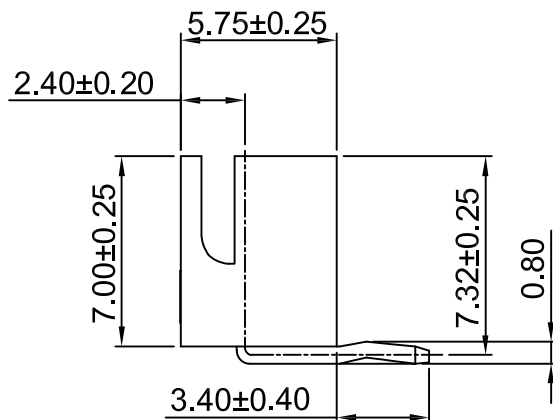
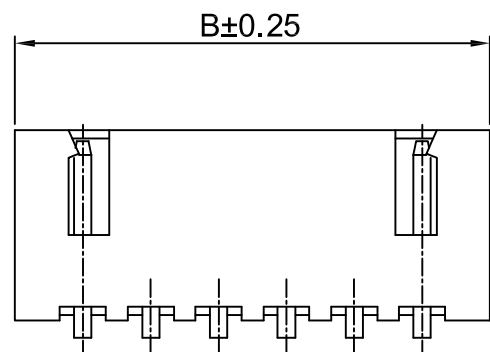
REVISIONS				
LTR	DESCRIPTION	DATE	DWN	APVD
A	RELEASED	2017\12\12	AW	WK

NOTE :

- MATERIAL:
HOUSING: PA66/PA46, UL94V-0,
TERMINAL: BRASS.
- FINISH:
TERMINAL: Tin plated
- SPECIFICATION NOTES:
CONTACT RESISTANCE: 30 milliohms MAX.
CURRENT RATING: 1A .
DIELECTRIC WITHSTANDING VOLTAGE: 1000V.

PART NO:
YL028-056-XXX

O:TYPE1: 不打K PA66 白色
A:TYPE2: 两端打K PA66 白色
B:TYPE1: 不打K PA46 米黄色
C:TYPE2: 两端打K PA46 米黄色



TYPE 2

TYPE 1

YL028-056-XXX
PART NUMBER

THIS DRAWING IS A CONTROLLED DOCUMENT.		DWN	2017\12\12	东莞市宇亮电子有限公司 DONG GUAN YU LIANG ELECTRONICS CO., LTD	
DIMENSIONS: mm		CHEK	2017\12\12		
TOLERANCES UNLESS OTHERWISE SPECIFIED:		APVD	2017\12\12	NAME 2.5 WAFER 90° DIP TYPE	
0 PLC ± 0.50 1 PLC ± 0.30 2 PLC ± 0.20 3 PLC ± 0.15 4 PLC ± -		PRODUCT SPEC	-	SIZE	DRAWING No.
THIRD ANGLE PROJECTION		WEIGHT	-	A4	©=YL028-056
ANGLES ± 3°		CUSTOMER DRAWING		SCALE	1 : 1
				SHEET	1 of 3



REVISIONS				
LTR	DESCRIPTION	DATE	DWN	APVD
A	RELEASED	25Jan16	AW	WK

NOTE :

1. MATERIAL:

HOUSING: PA66, UL94V-0, WHITE

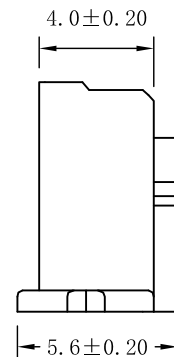
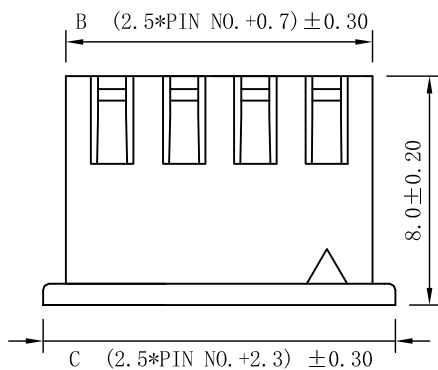
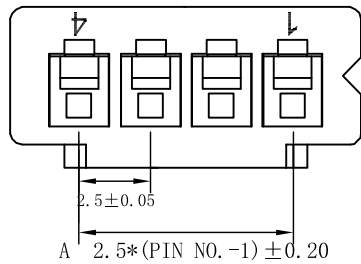
PART NO:

YL028-053-XXX

02:2P

03:3P

.....

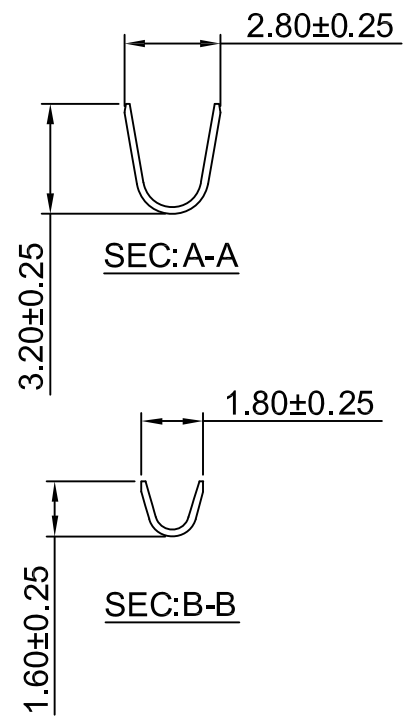
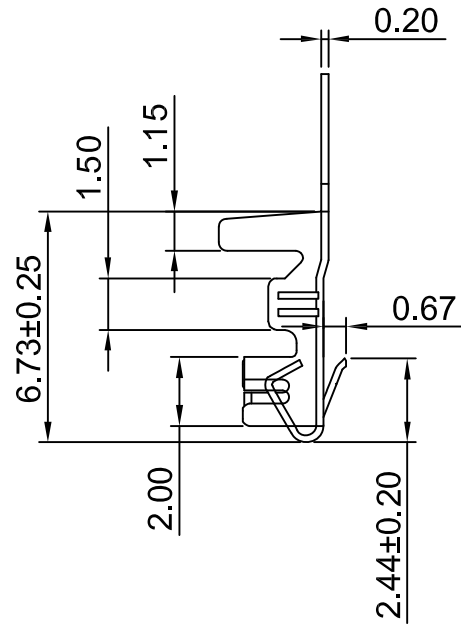
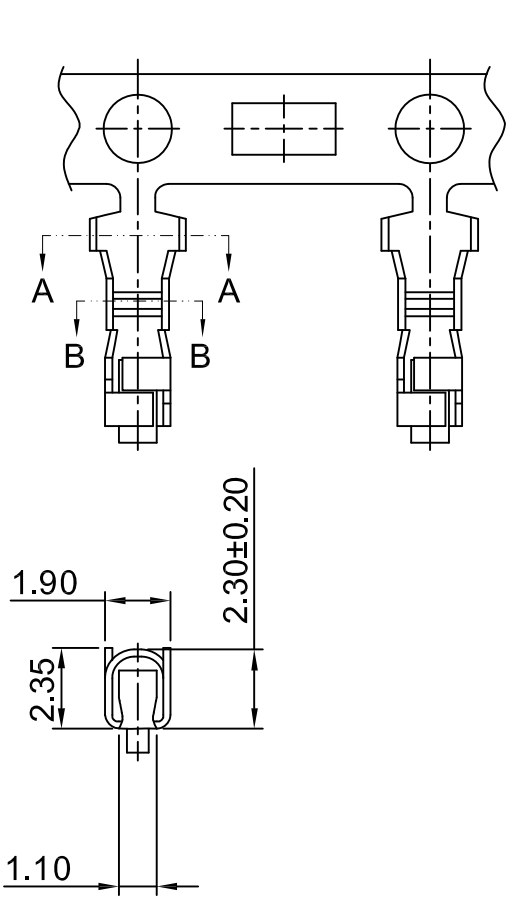


PIN NO.	DIMENSION		
	A	B	C
2	2.5	5.7	7.3
3	5.0	8.2	9.8
4	7.5	10.7	12.3
5	10.0	13.2	14.8
6	12.5	15.7	17.3
7	15.0	18.2	19.8
8	17.5	20.7	22.3
⋮	⋮	⋮	⋮
20	47.5	50.7	52.3

THIS DRAWING IS A CONTROLLED DOCUMENT.		DWN A. WU 25Jan2016	东莞市宇亮电子有限公司 DONG GUAN YU LIANG ELECTRONICS CO.,LTD	
DIMENSIONS: mm		CHEK S. CHIEN 25Jan2016		
TOLERANCES UNLESS OTHERWISE SPECIFIED:		APVD Abel 25Jan2016	XH2.5 HOUSING PA66	
0 PLC ± 0.50 1 PLC ± 0.30 2 PLC ± 0.20 3 PLC ± 0.15 4 PLC ± - ANGLES ± 3°		PRODUCT SPEC —		
THIRD ANGLE PROJECTION		WEIGHT —	SIZE A4	DRAWING No. YL028-053
CUSTOMER DRAWING			SCALE 1 : 1	SHEET 1 OF 1



REVISIONS				
LTR	DESCRIPTION	DATE	DWN	APVD
A	RELEASED	25Jan16	AW	WK



NOTE :
 1. TERMINAL: BRASS.
 2. FINISH:
 TERMINAL: Tin plated

Wire Range	Insulation O.D.	Qty/reel
AWG#22-#28	1.90mm(max)	8,000 PCS

THIS DRAWING IS A CONTROLLED DOCUMENT.

DIMENSIONS:
mm

THIRD ANGLE PROJECTION

TOLERANCES UNLESS OTHERWISE SPECIFIED:

0 PLC	± 0.50
1 PLC	± 0.30
2 PLC	± 0.20
3 PLC	± 0.15
4 PLC	± -
ANGLES	± 3'

DWN	A. WU	25Jan2016
CHEK	S. CHIEN	25Jan2016
APVD	Abel	25Jan2016
PRODUCT SPEC	-	-
WEIGHT	-	-

PART NUMBER		YL028-057-001	
东莞市宇亮电子有限公司 DONG GUAN YU LIANG ELECTRONICS CO.,LTD			
NAME			
XH 2.5mm 镀锡母端子			
SIZE	DRAWING No.		
A4	YL028-057		
CUSTOMER DRAWING		SCALE	SHEET
		1 : 1	1 of 1